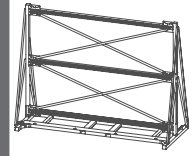


7

DEPOFLEX STORAGE RACK 6000  
6000 PLUS  
Item No. 715060 – 715065



ORIGINAL ASSEMBLY INSTRUCTIONS



**ROBUSTA**  
GAUKEL



## 1. General Safety Instructions

### 1.1. General

- This assembly manual contains information for the correct assembly and proper use of the products described below
- In addition, country-specific rules and regulations must be observed. Furthermore, specific site hazards must be considered during assembly.

In case of uncertainties or questions, please consult ROBUSTA-GAUKEL.

- The depicted assembly states are to be understood as exemplary intermediate states; therefore, they may not always be completely correct from a safety perspective. In general, the regulations of the accident prevention regulations (Health and Safety Executive or equivalent) must always be observed.
- Unauthorized modifications to the components are not permitted. In case of deviations from this manual or any extended use, explicit approval from us is required. In such instances, we kindly request you to consult with the technical department of ROBUSTA-GAUKEL Company.
- ROBUSTA-GAUKEL is responsible for ensuring that a hard copy of this manual is available at the deployment site. The safety of the workforce in specific on-site situations is also the responsibility of ROBUSTA-GAUKEL. In addition to this manual, a general risk assessment has been conducted by ROBUSTA-GAUKEL; however, the on-site team must perform a risk assessment, taking into account the conditions and circumstances at the respective deployment sites. During assembly or installation, adherence to the hierarchy of measures outlined in the Occupational Safety and Health Act is mandatory.

### 1.2 Copyright

- This documentation is protected by copyright. Any use or modification outside the narrow limits of copyright law is prohibited and constitutes an offense without the consent of ROBUSTA-GAUKEL GMBH & CO.KG..

### 1.3 Qualified and Authorized Persons

- Individuals who are qualified and authorized, based on their education and training, possess the capability to execute their designated tasks in accordance with technical standards while adhering to safety requirements. The on-site team is responsible for identifying such individuals

### 1.4 Warranty Claims

- ROBUSTA-GAUKEL assumes no liability for damages:
  - In case of improper use/operation
  - When used in combination with accessories or fastening parts not supplied by ROBUSTA-GAUKEL
  - In case of modifications to components and unauthorized alterations
  - In the event of improper assembly, maintenance, inspection, and upkeep
  - When using parts that are not original components
  - When operated by non-qualified and unauthorized individuals
  - Towards third parties

### 1.5. Checks

- The functionality of the product must be tested before assembly by a qualified and authorized person.
- All parts must be carefully inspected for damage or any other capacity-reducing impairments and replaced if necessary.
- The components and correct assembly must be regularly checked by a qualified and authorized person, adhering to this manual.
- Non-functional or damaged material must be stored and marked in a way that further use is precluded!  
Only original parts from ROBUSTA-GAUKEL are to be used.
- Illegible stickers or nameplates must be replaced!



**Important notice  
for special  
attention**



**Visual inspection**



**Lifting points for  
crane transport**



# DEPOFLEX STORAGE RACK 6000 / 6000 PLUS

Item No. 715060 – 715065

# 7

## ORIGINAL ASSEMBLY INSTRUCTIONS

01.01.2024

Page 3 from 20

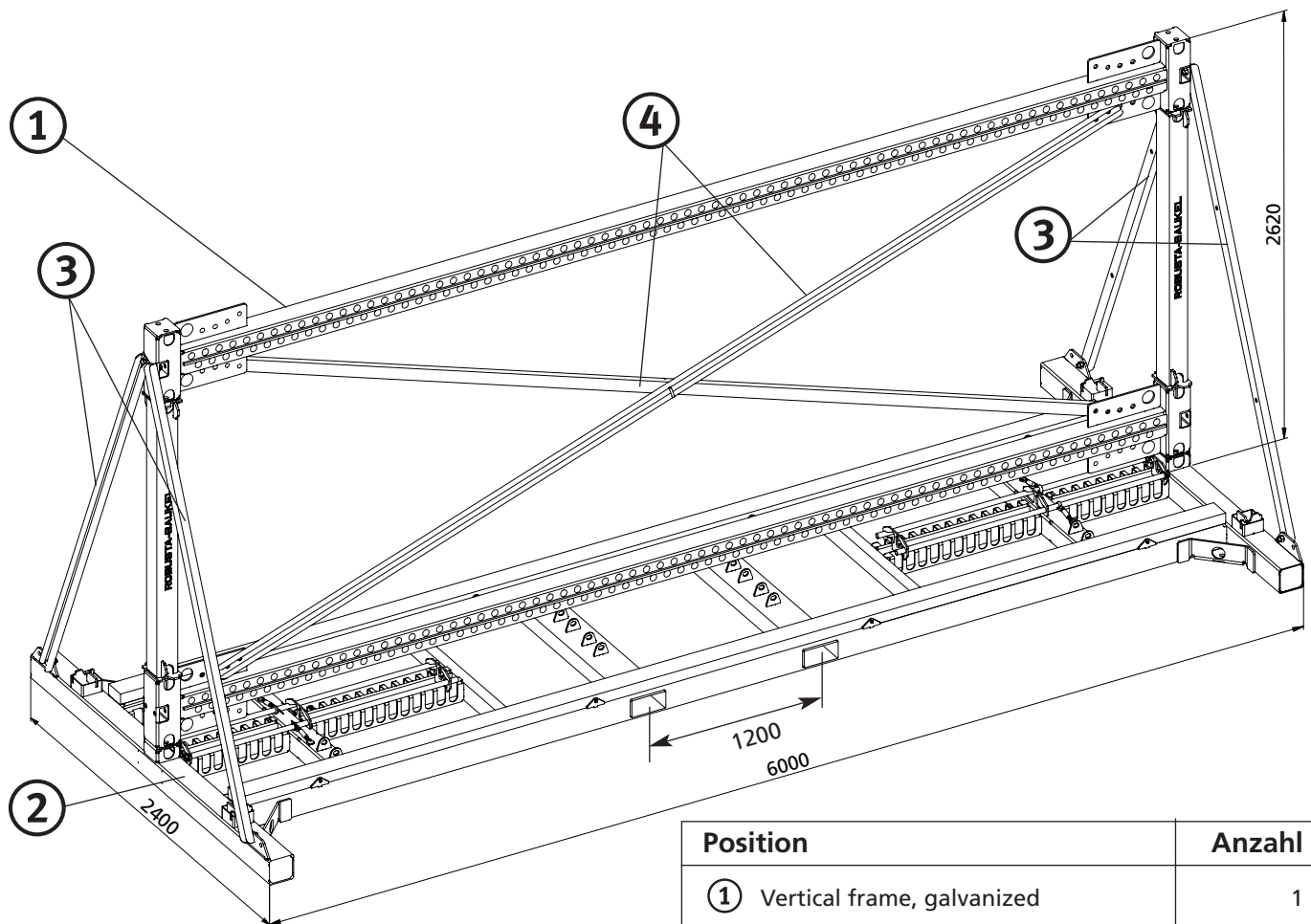
### 2. Intended use

The ROBUSTA-DepoFlex rack systems serve as intermediate storage on construction sites or in precast concrete factories for the vertical positioning of wall-like components such as formwork panels or precast concrete walls. The two offset rows of holes in the perforated beams create a closely spaced grid for inserting the connecting bolts, allowing for a space-saving and tight arrangement of the elements. To protect the components, the connecting bolts are coated with plastic. This coating serves as a stop when inserting into the perforated beam. When setting up wall panels on both sides, a stop profile on the perforated beam prevents the connecting bolt from being pushed out of its holder on the opposite side.

The lower beam allows for the positioning of small elements, such as parapets. Additionally, the connecting bolts in the lower beam serve as a safeguard against the elements twisting around the upper anchoring point.

The racks form a frame-like, self-contained, static system that is stabilized by the weight of the positioned elements on the base frame. This base frame is equipped with wooden beams for setting up the elements, protecting the sensitive edges of the elements against chipping. For the safe transport of empty racks with a forklift, corresponding openings are present in the base frame.

The stack guides are designed so that individual subassemblies can be stacked on top of each other in any order.



Position	Anzahl
① Vertical frame, galvanized	1
② Floor frame, galvanized	1
③ Cross struts, galvanized	4
④ Diagonal struts, galvanized	2
⑤ Pin holder for pins	160

### DepoFlex storage rack 6000, galvanized

Length [mm]	Width [mm]	Height [mm]	Weight [kg/unit]	Item No.
6000	2400	2620	1200.0	715060

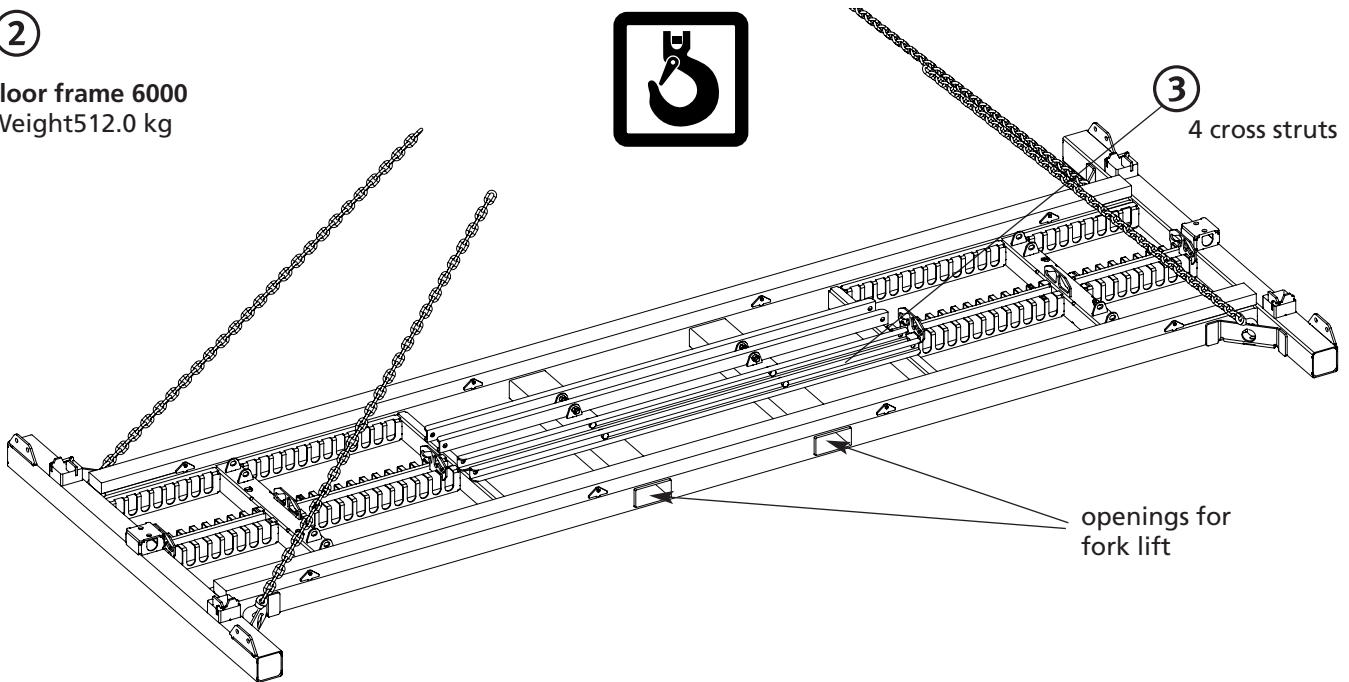


### 3. Overview of all components for DepoFlex storage rack 6000

Representation: in the delivered state as factory, preassembled, dimensions, weights, and suspension points

②

**Floor frame 6000**  
Weight 512.0 kg



③

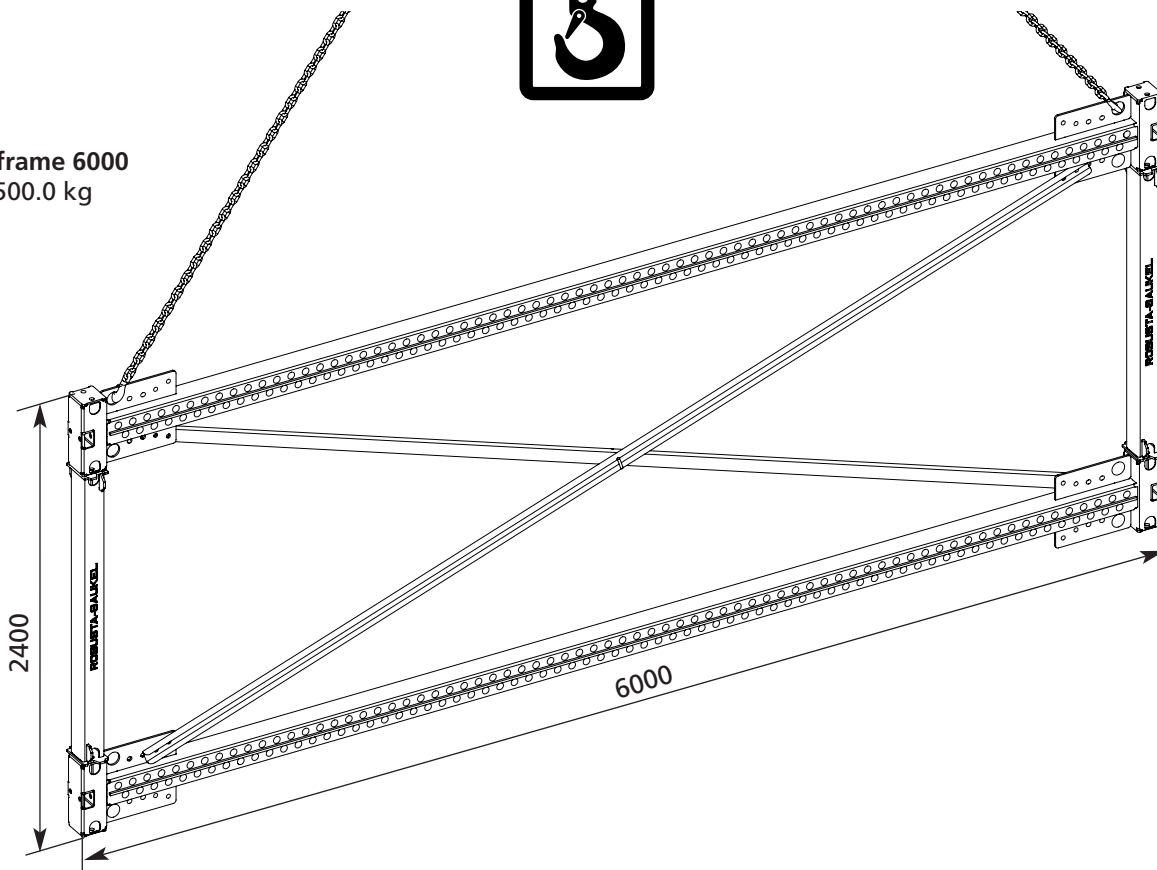
4 cross struts

openings for  
fork lift



①

**Vertical frame 6000**  
Weight 500.0 kg



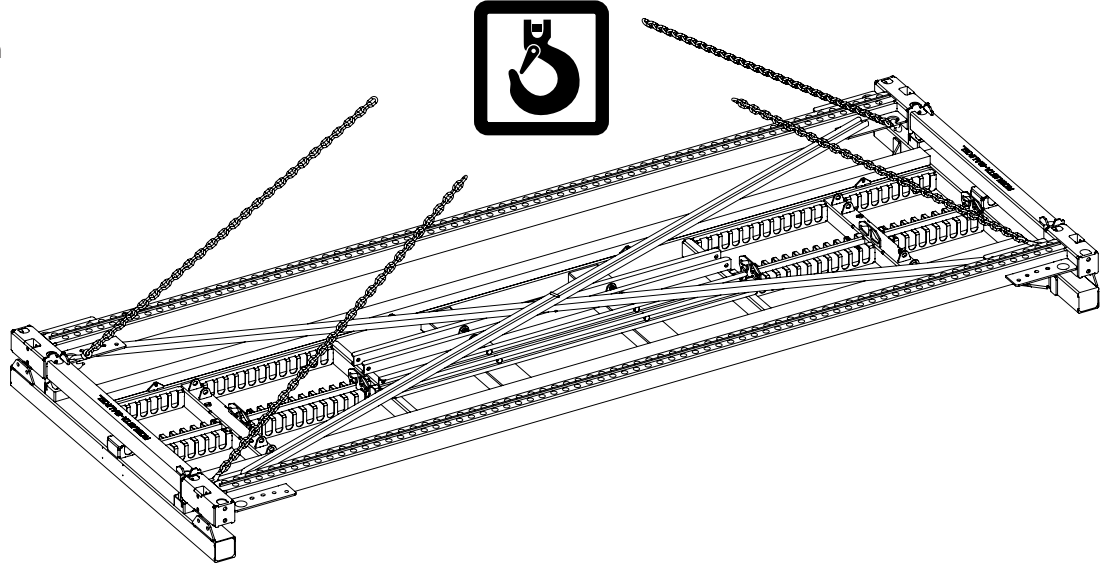
2400

6000

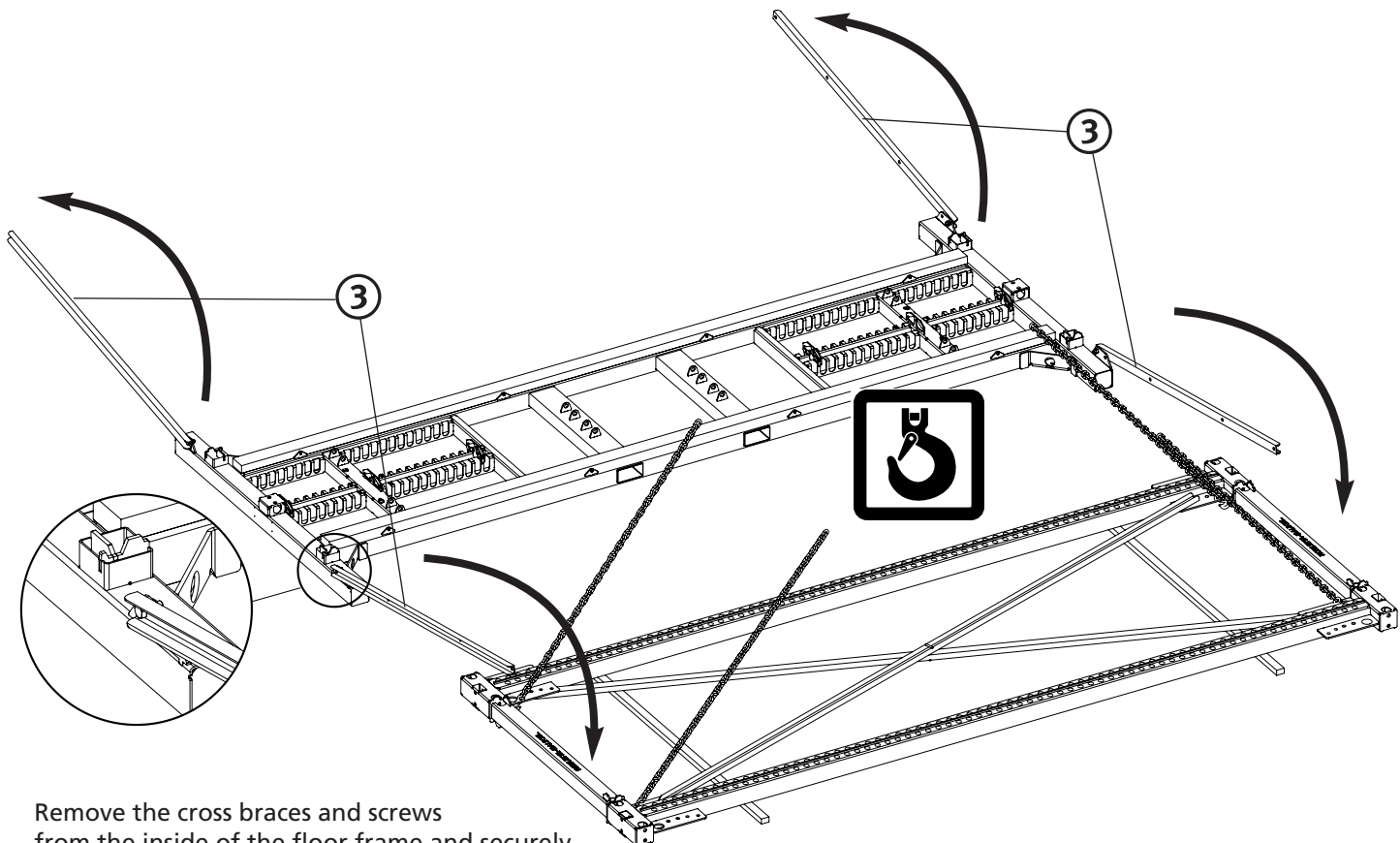


### 4. Structure DepoFlex storage rack 6000

Delivery condition



Place the square timbers at the appropriate distance on the floor and lay the vertical frame on them. The connecting screws are used to connect to the floor/vertical frame.

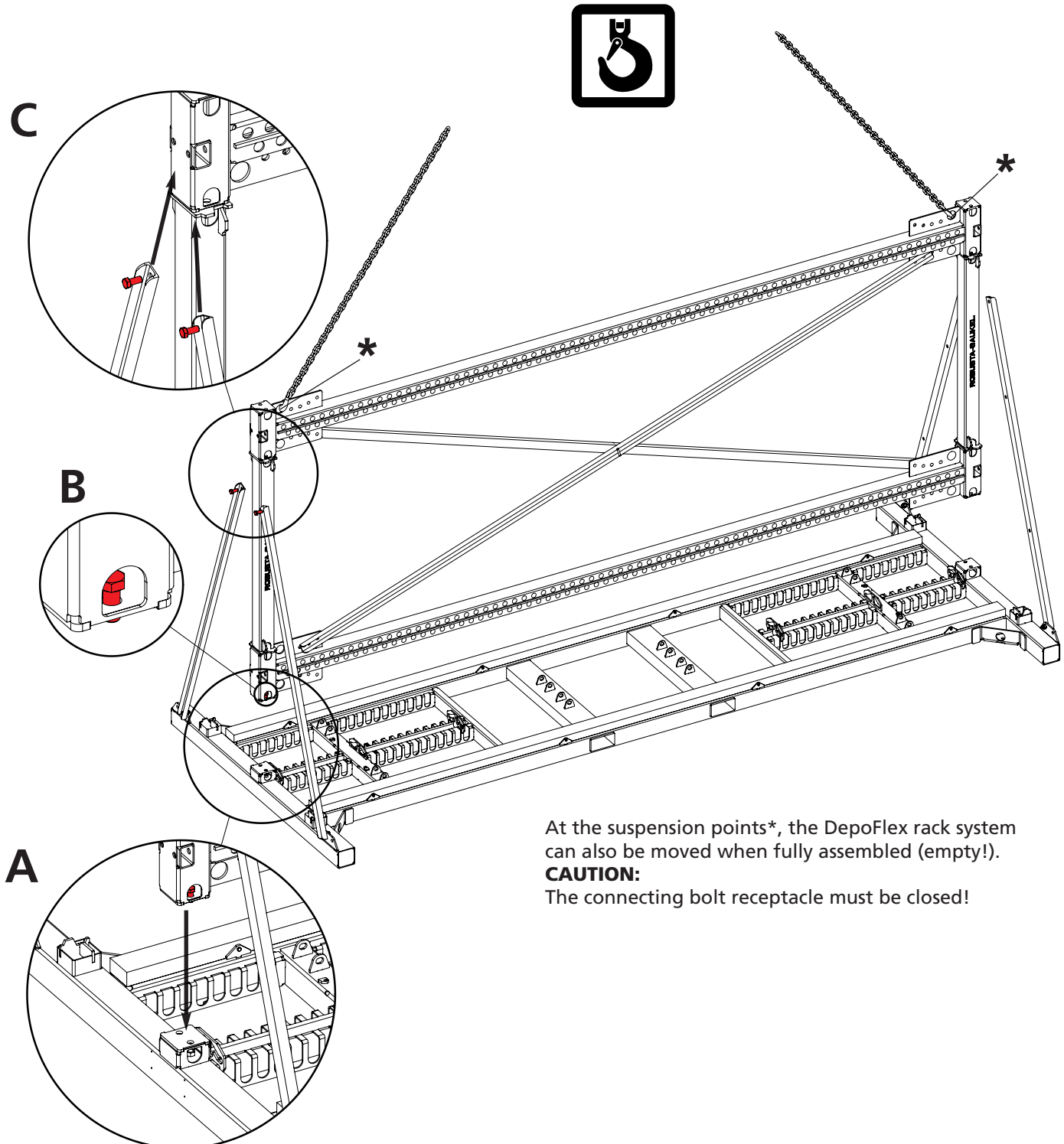


Remove the cross braces and screws from the inside of the floor frame and securely screw the cross braces.



### Vertical Frame Lifting and Assembly Instructions:

1. Lift the vertical frame with a crane and place it into the receptacles on the floor frame. Secure it by tightening the screws (refer to Details A + B).
2. Subsequently, raise the 4 cross braces and firmly secure them with the provided M16-180 screws (refer to Detail C).



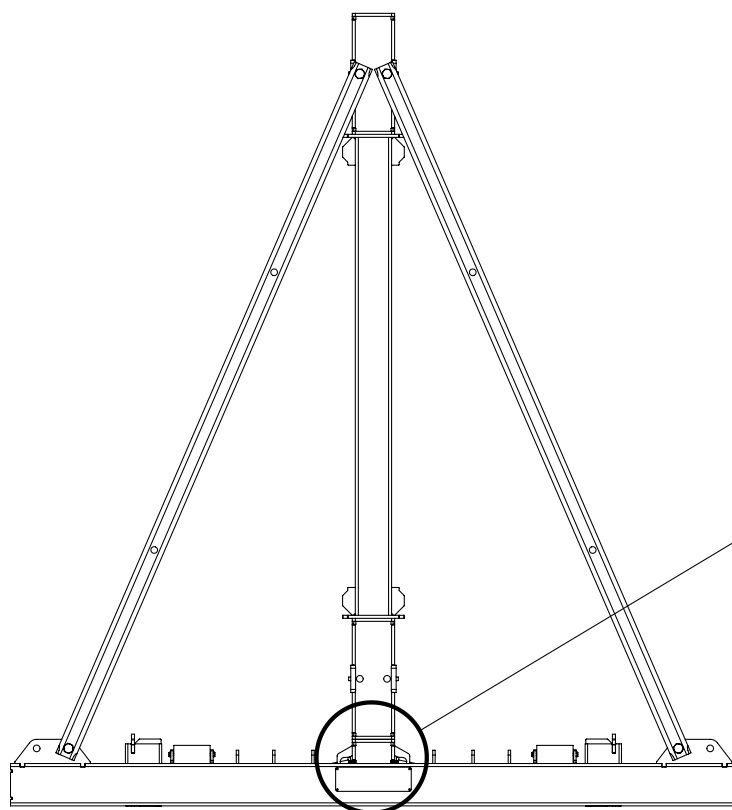
At the suspension points\*, the DepoFlex rack system can also be moved when fully assembled (empty!).

**CAUTION:**

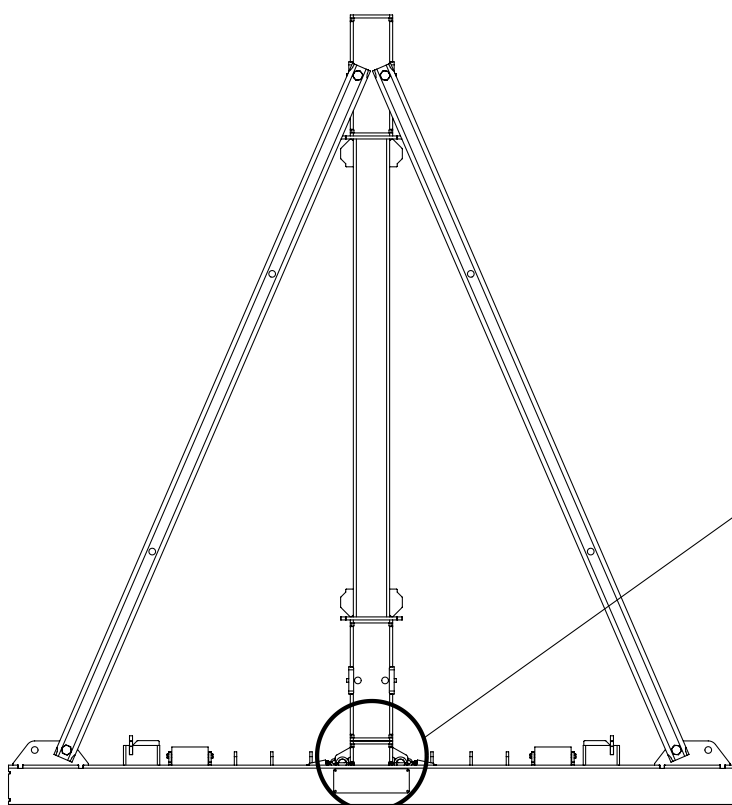
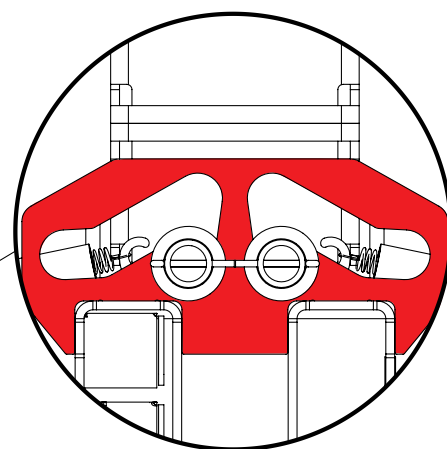
The connecting bolt receptacle must be closed!



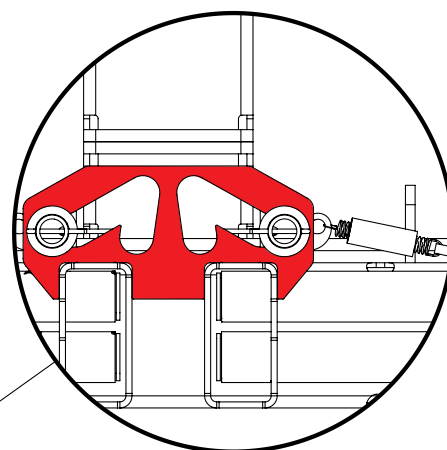
### 5. Connecting bolt rectangle with safety lock



Connecting bolt rectangle open



Connecting bolt rectangle closed

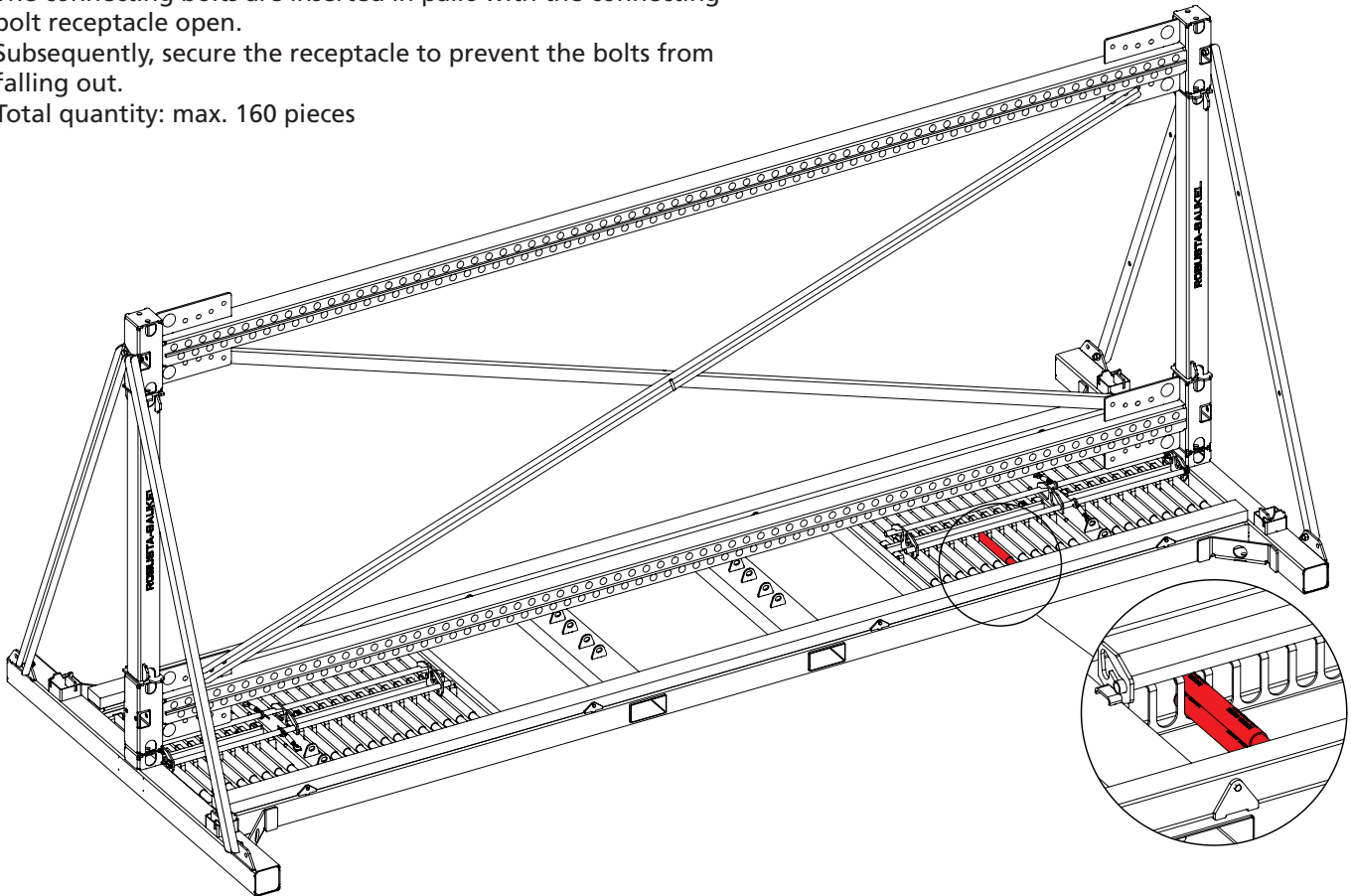




The connecting bolts are inserted in pairs with the connecting bolt receptacle open.

Subsequently, secure the receptacle to prevent the bolts from falling out.

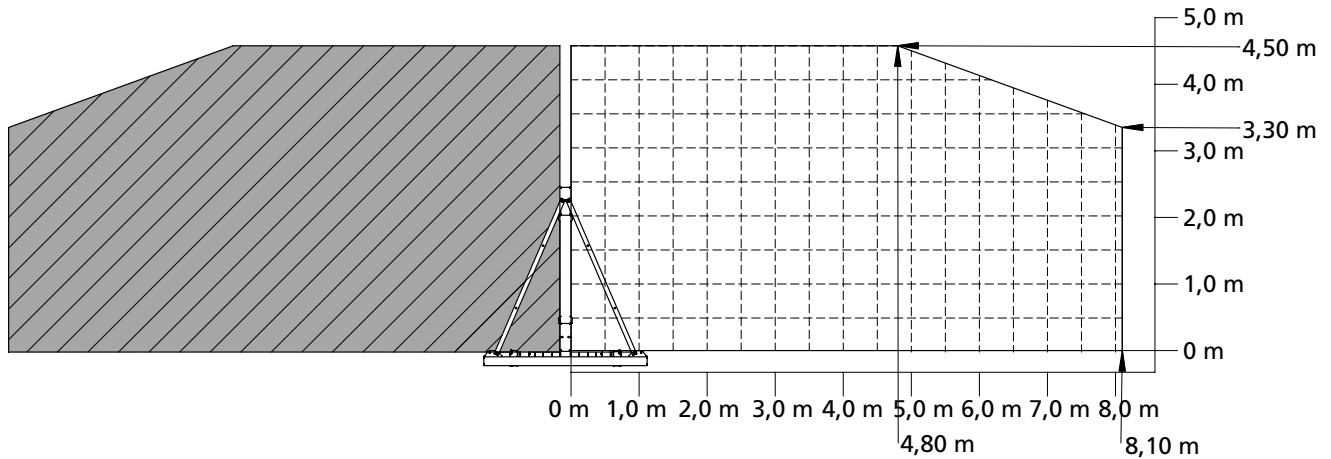
Total quantity: max. 160 pieces







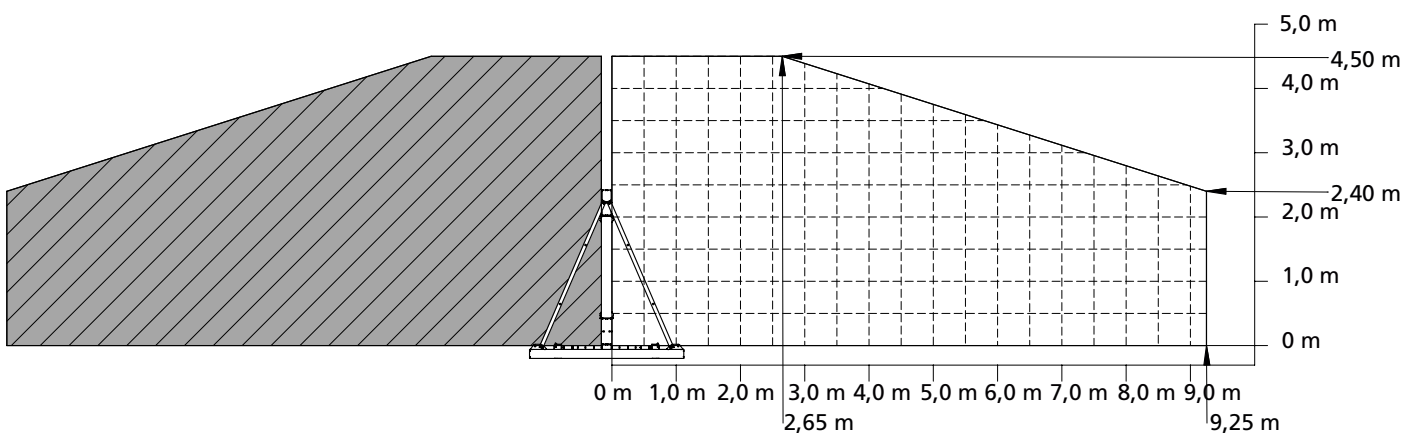
### 6. Overview of wall formwork storage DepoFlex 6000



Maximum dimensions of the wall elements Ratio length/height max.  
max. L = 8.10 m, associated height = 3.30 m  
max. H = 4.50 m, associated length = 4.80 m

Example: length of wall = 6,0 m → max. associated height of wall = 4.0 m

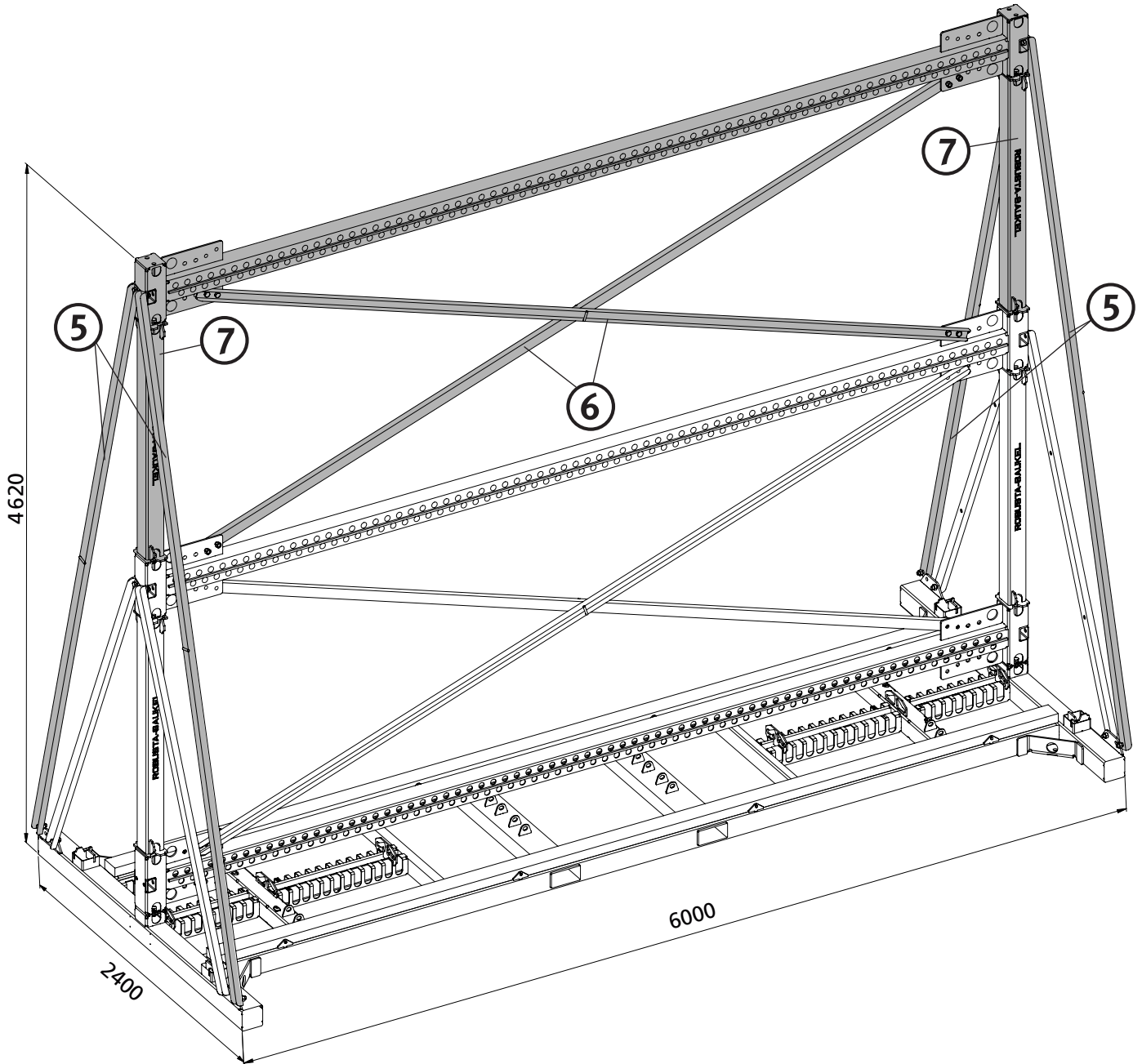
### 7. Overview of the storage of precast concrete elements DepoFlex 6000



Maximum dimensions of the precast elements, Ratio length/height  
max. length = 9.25 m, associated height = 2.40 m  
max. height = 4.50 m, associated length = 2.65 m



## 8. Extension element DepoFlex storage rack 6000 (DepoFlex 6000 Plus)



### Extension element for DepoFlex storage rack 6000, galvanized

Length [mm]	Width [mm]	Height [mm]	Weight [kg/unit]	Item No.
6000	2400	2000	300.0	715065

Position	Number
⑤ Cross struts, long version, galvanized	4
⑥ Diagonal struts, galvanized	2
⑦ Vertical post, galvanized	2



# DEPOFLEX STORAGE RACK 6000 / 6000 PLUS

Item No. 715060 – 715065

# 7

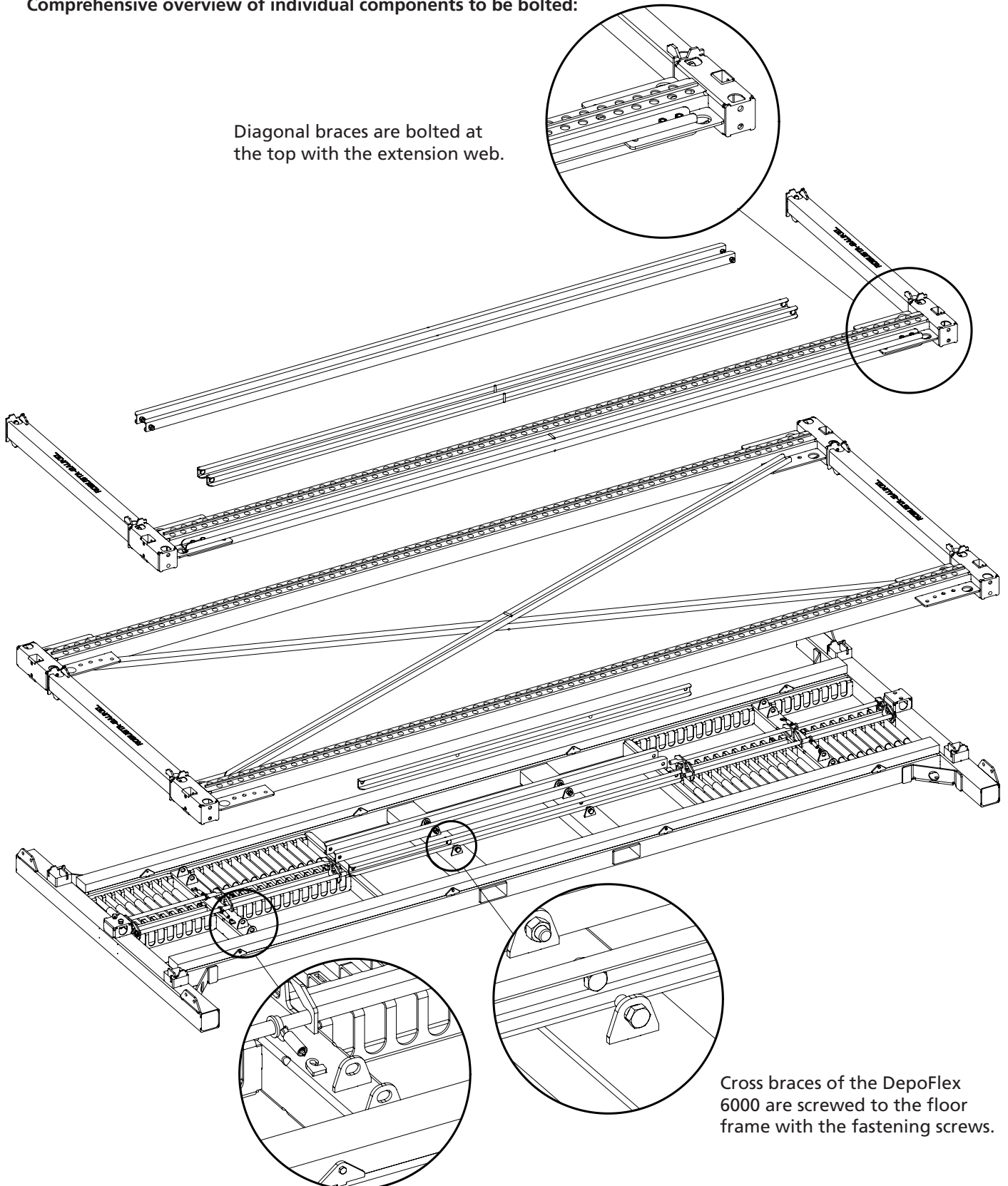
## ORIGINAL ASSEMBLY INSTRUCTIONS

01.01.2024

Page 11 from 20

Comprehensive overview of individual components to be bolted:

Diagonal braces are bolted at the top with the extension web.



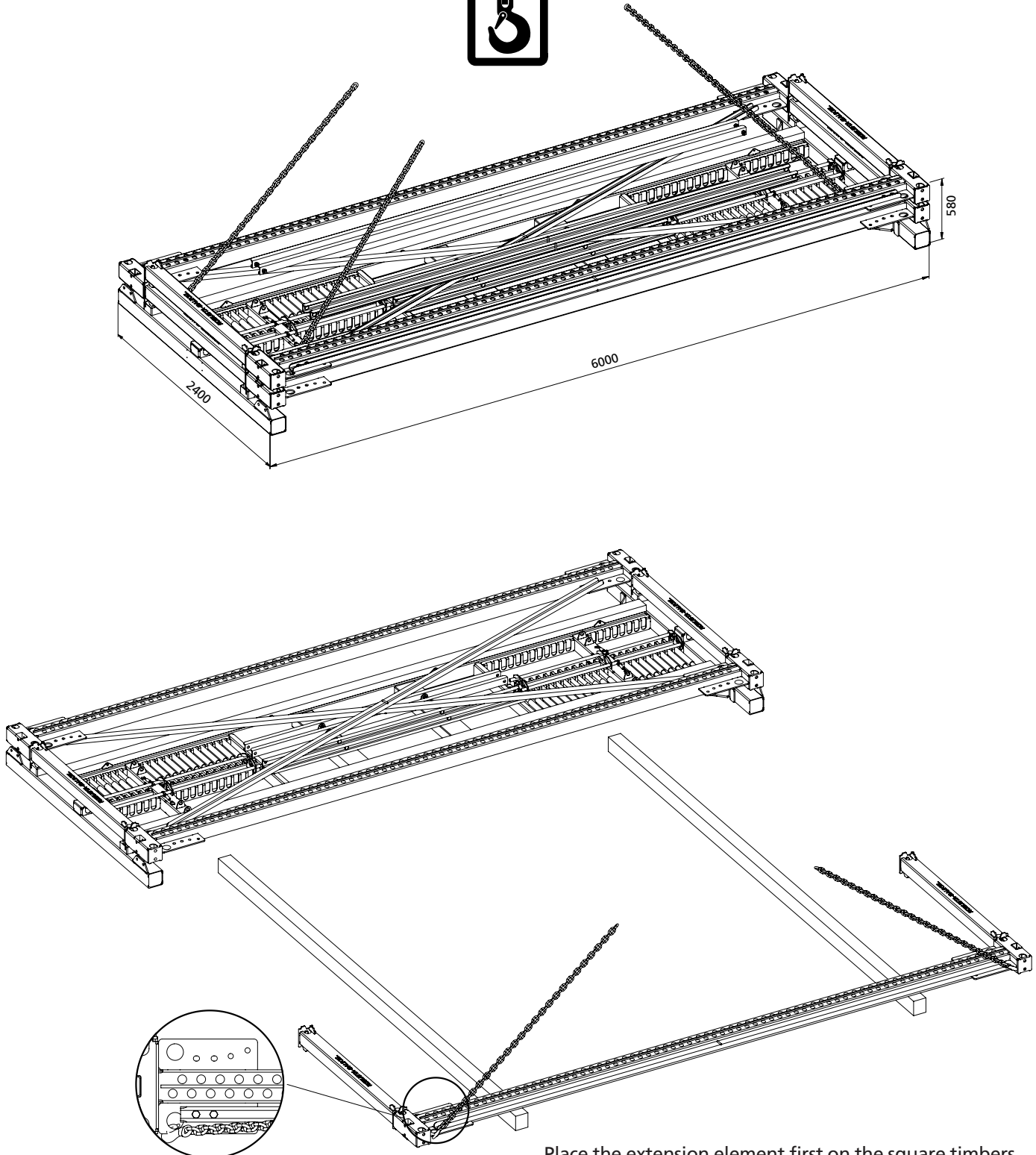
Cross braces of the DepoFlex 6000 are screwed to the floor frame with the fastening screws.

Cross braces from the extension are screwed to the floor frame with the fastening screws.



## 9. Structure DepoFlex-Rechengestell 6000 with extension element (DepoFlex 6000 Plus)

Delivery condition



Place the extension element first on the square timbers. Remove screws and diagonal braces from the extension element, and assemble them in a diagonal position.



# DEPOFLEX STORAGE RACK 6000 / 6000 PLUS

Item No. 715060 – 715065

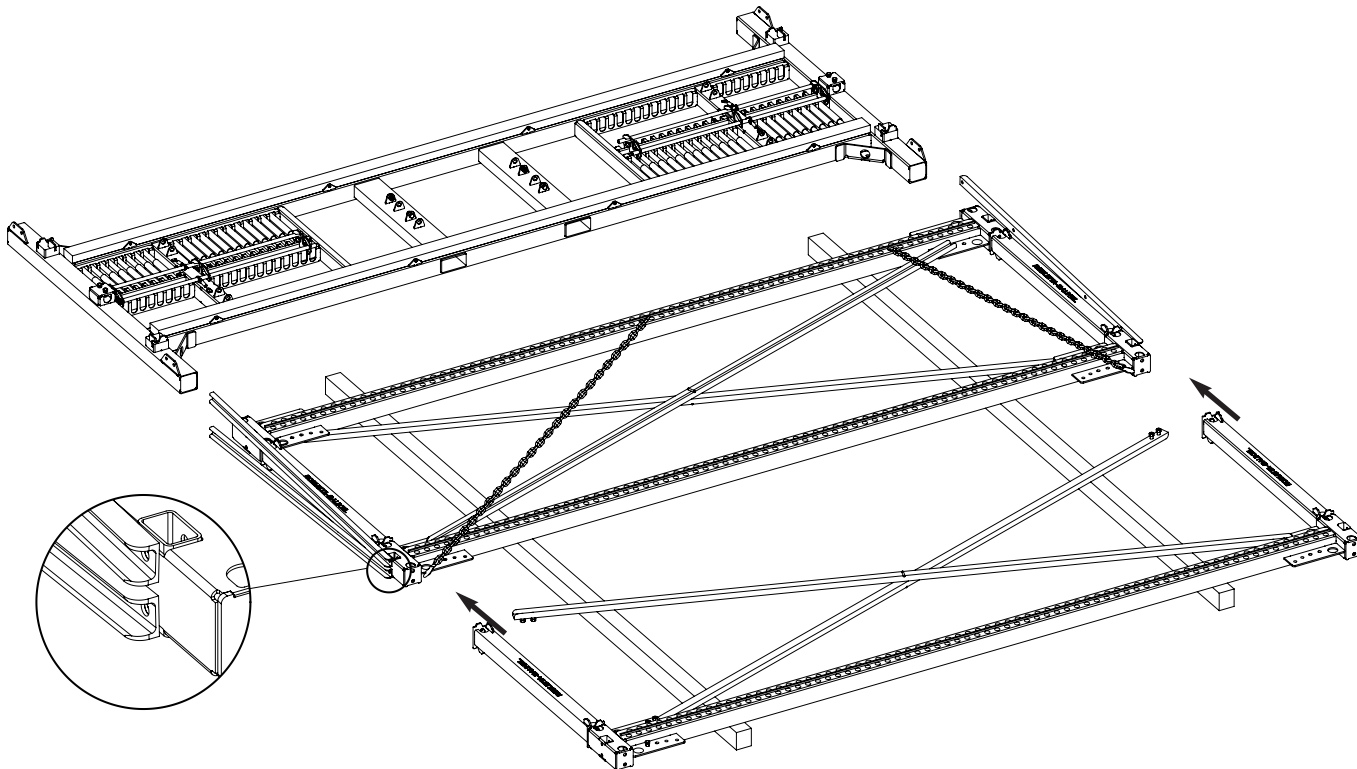
# 7

## ORIGINAL ASSEMBLY INSTRUCTIONS

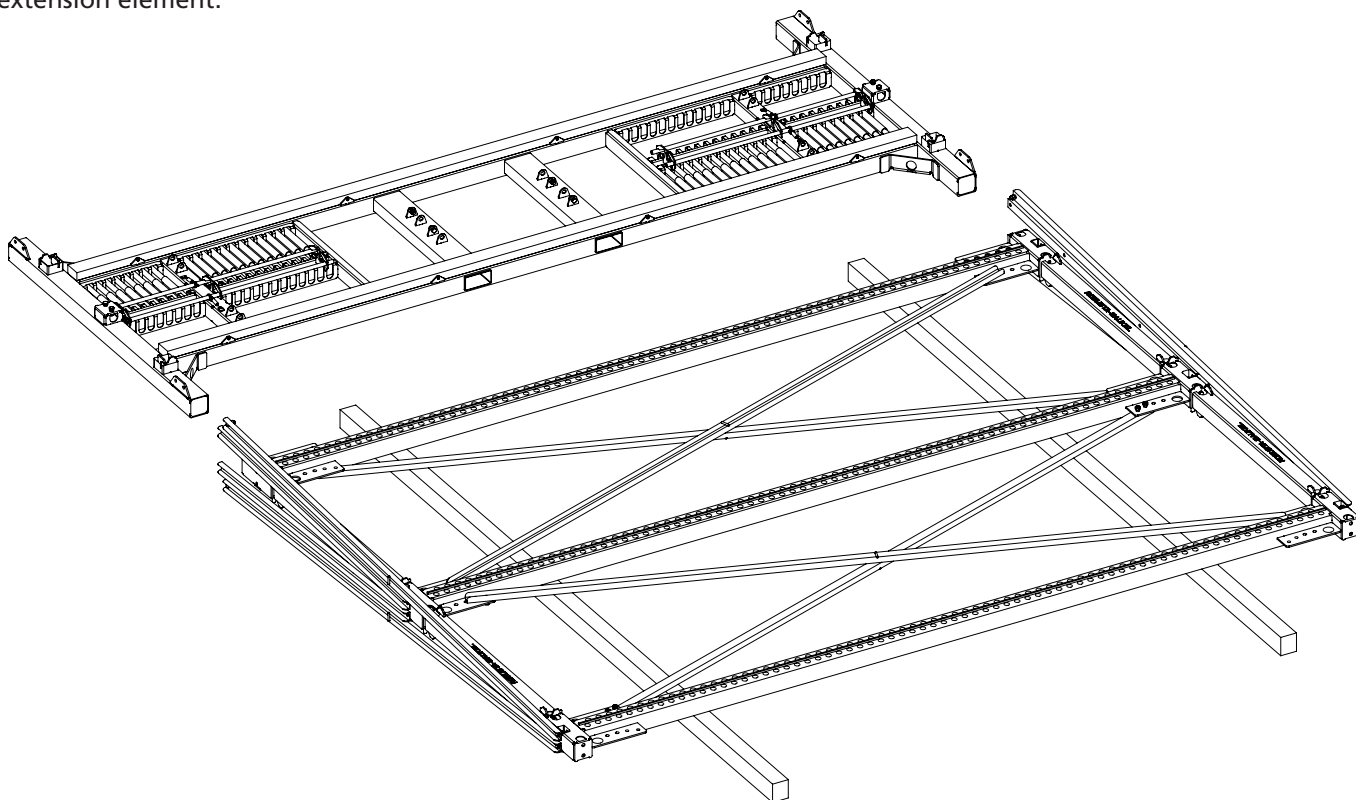
01.01.2024

Page 13 from 22

Subsequently, place the vertical frame on the square timbers.

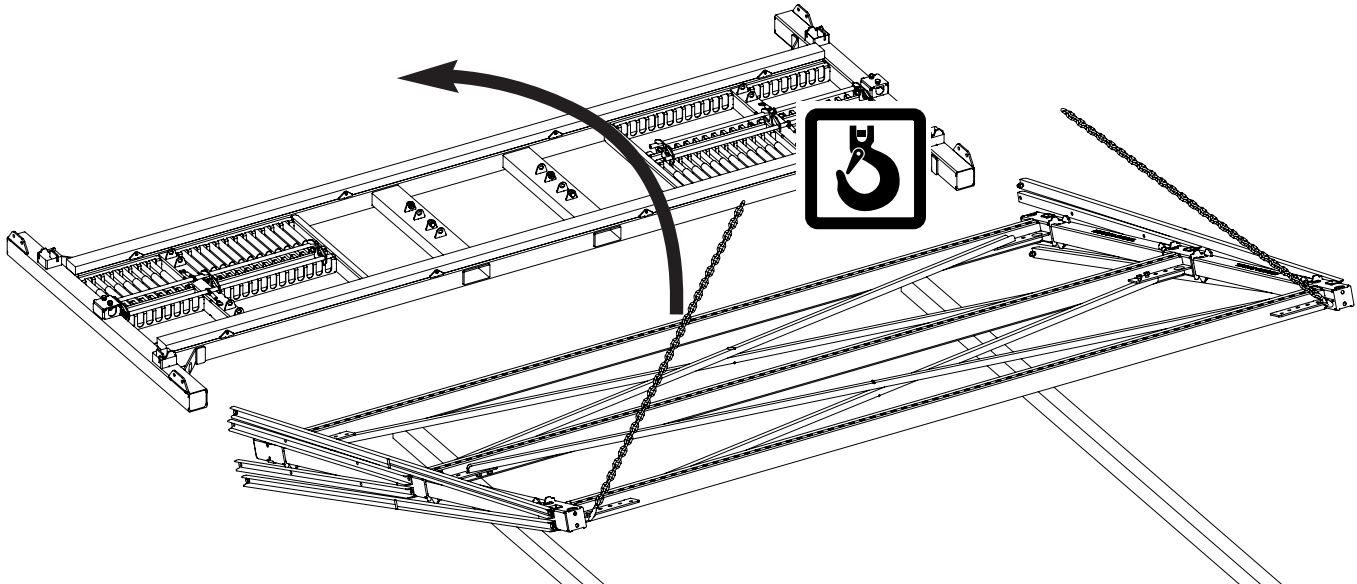


Slide the extension element to the vertical frame and fasten them together, then mount the cross braces on the extension element.





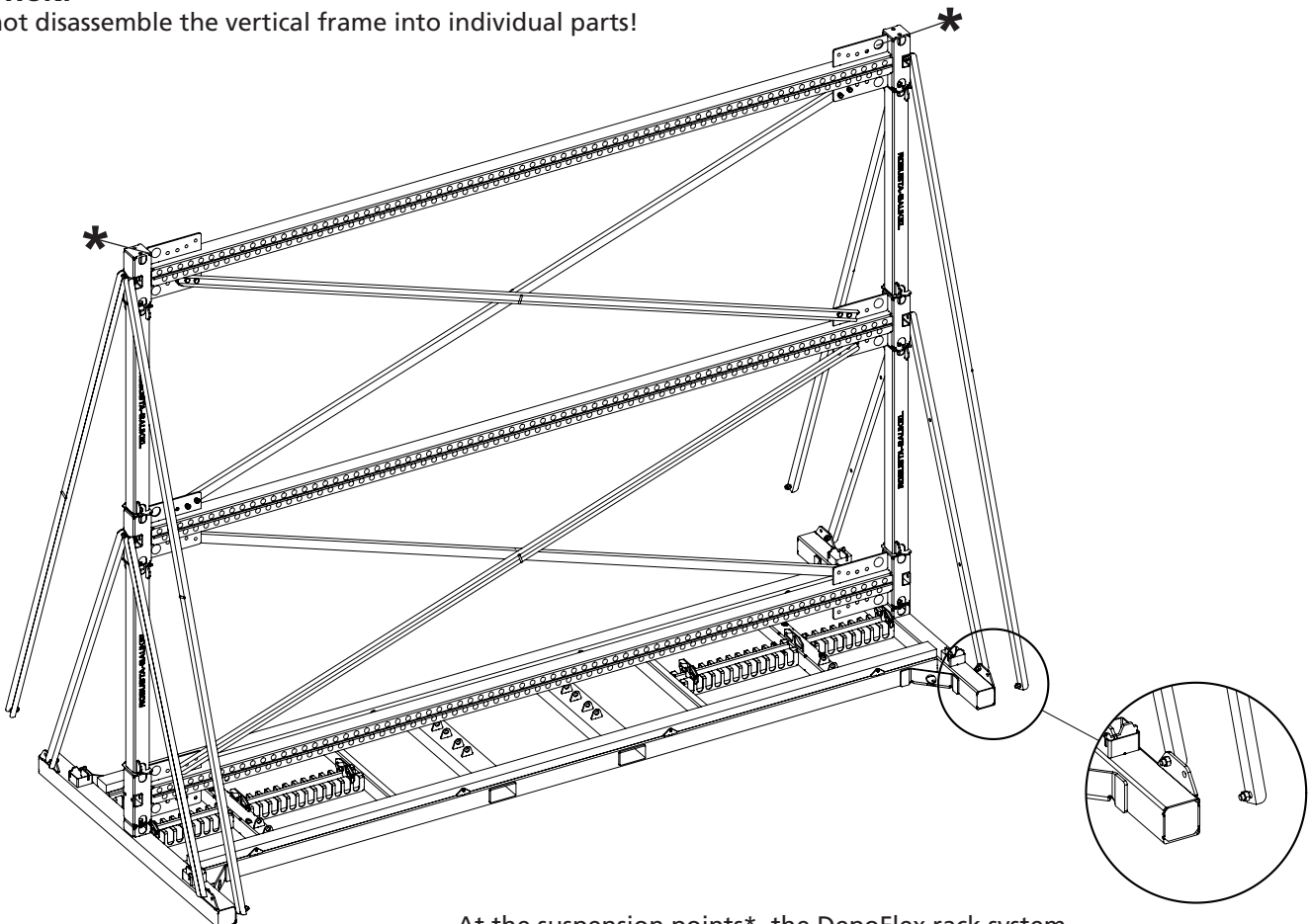
Following that, lift the fastened elements upright with the crane.



Insert the assembled elements into the receptacles and secure the 4 cross braces with screws on the floor frame. The DepoFlex rack system 6000 Plus is now ready for use. Disassembly is carried out in reverse order.

**CAUTION:**

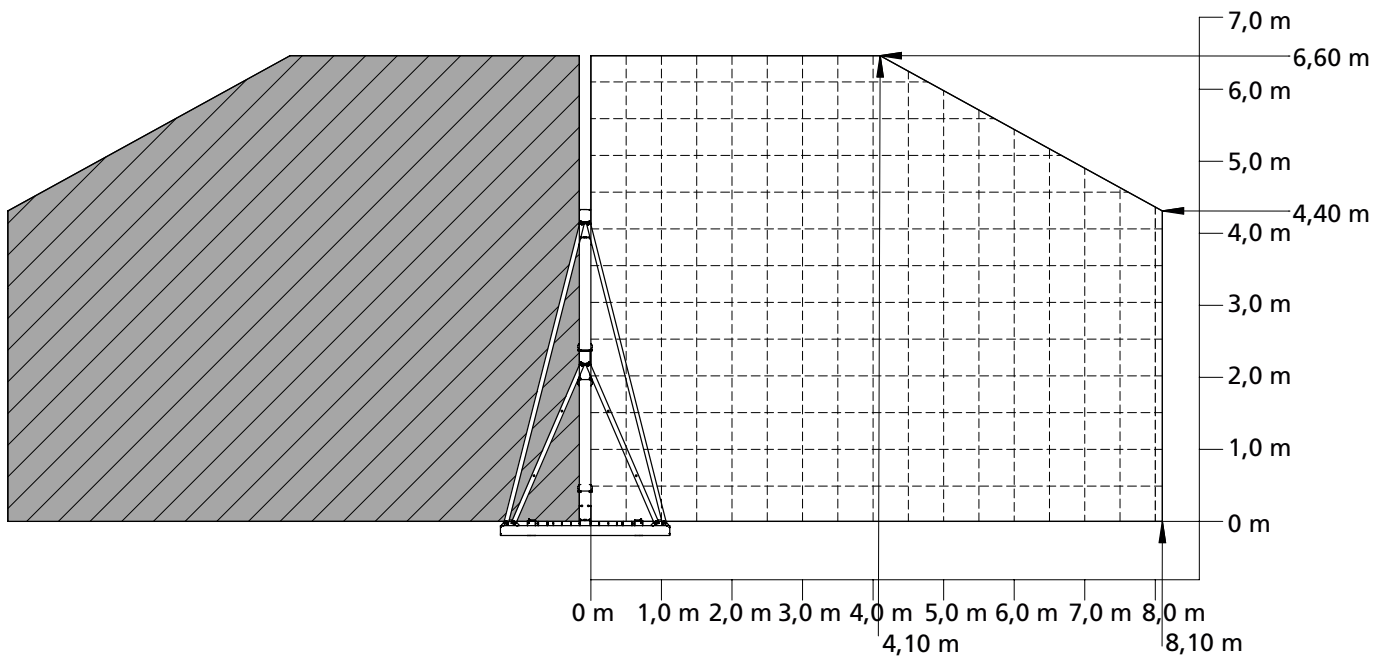
Do not disassemble the vertical frame into individual parts!



At the suspension points\*, the DepoFlex rack system can also be relocated in a fully assembled state."

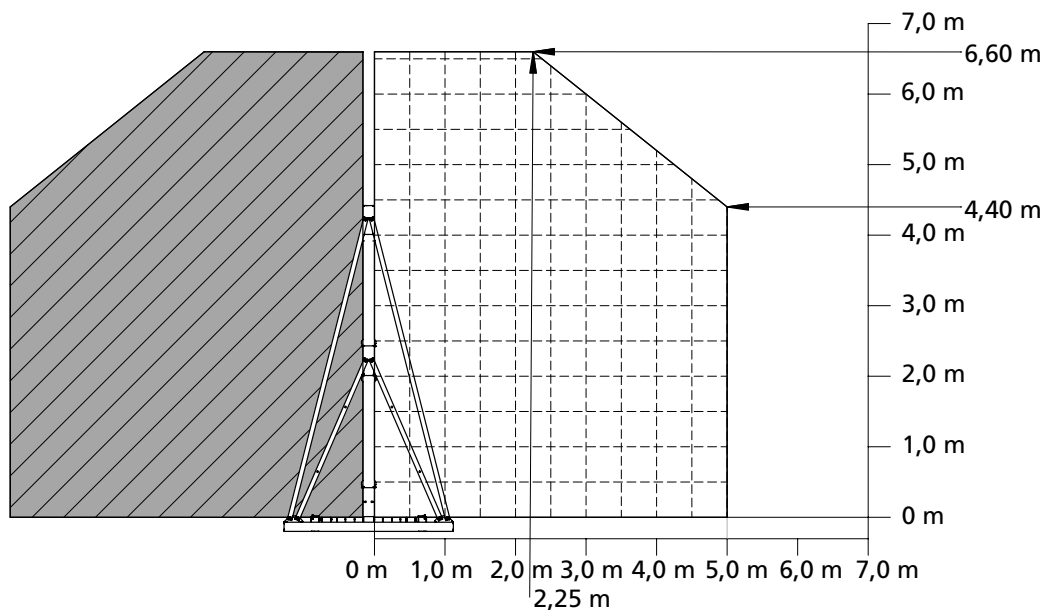


### 10. Overview of wall formwork storage DepoFlex 6000 Plus



Max. dimensions of the wall elements ratio length/height:  
max. length = 8,10 m, associated height = 4.40 m  
max. H = 6.60 m, associated length = 4.10 m

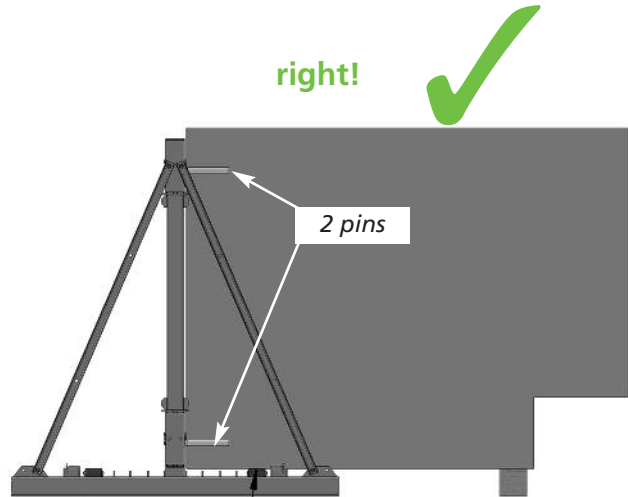
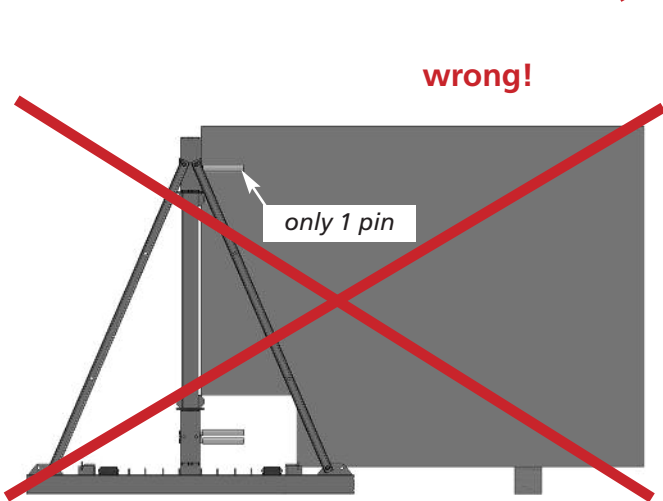
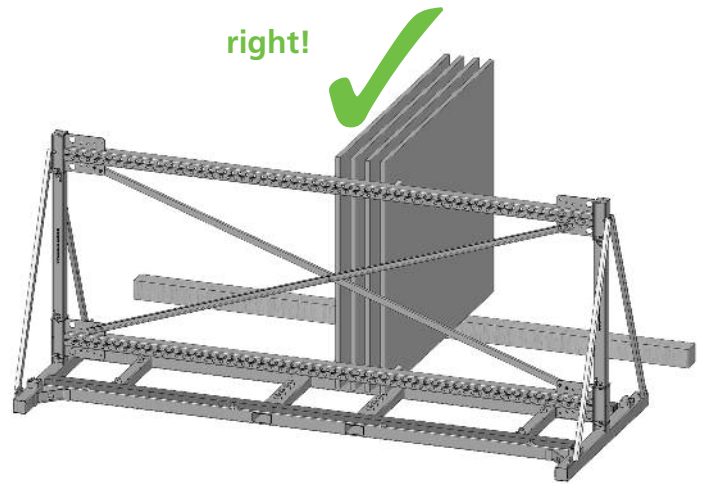
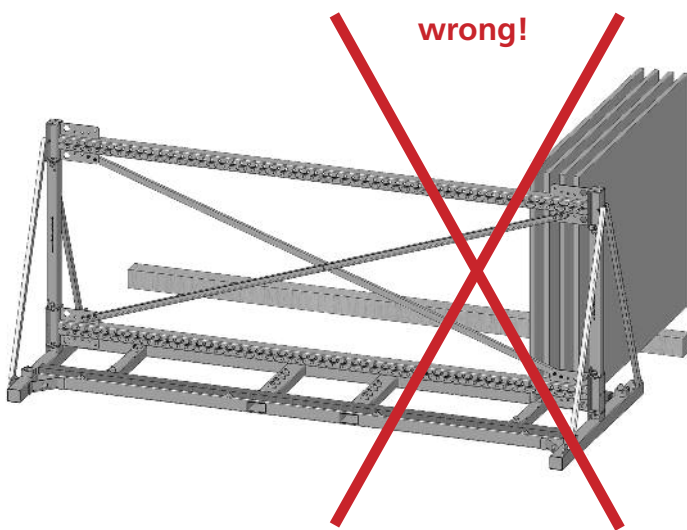
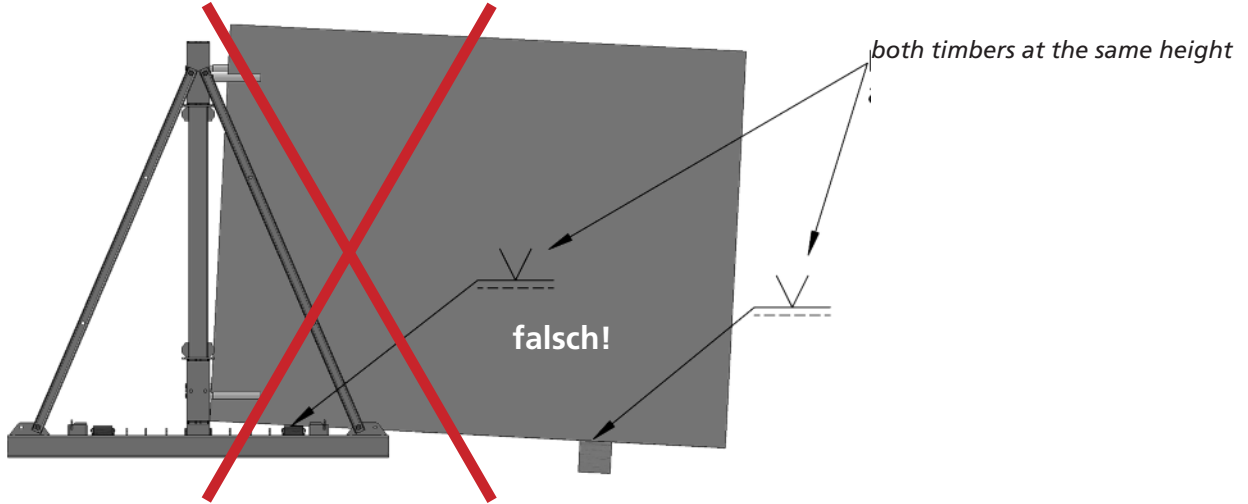
### 11. Overview of the storage of precast concrete elements DepoFlex 6000 Plus



Max. dimensions of the precast elements Ratio length/height  
max. length = 5.00 m, associated height = 4.40 m  
max. height = 6.60 m, associated length = 2,25 m



### 12. General instructions for the storage of wall elements and precast concrete parts

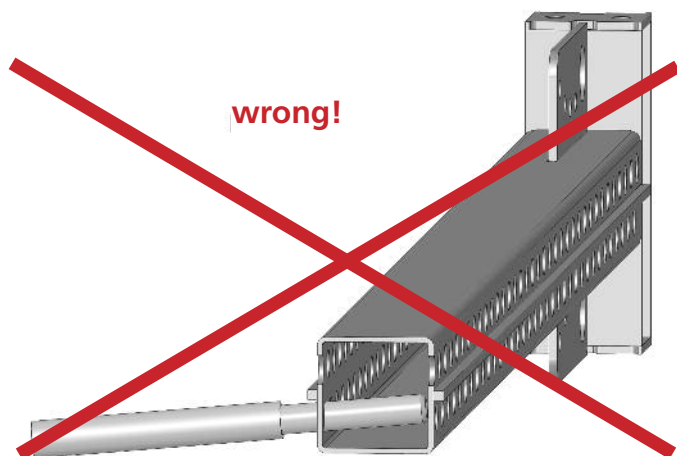


*Weight of wall element must rest on the wooden beams!*

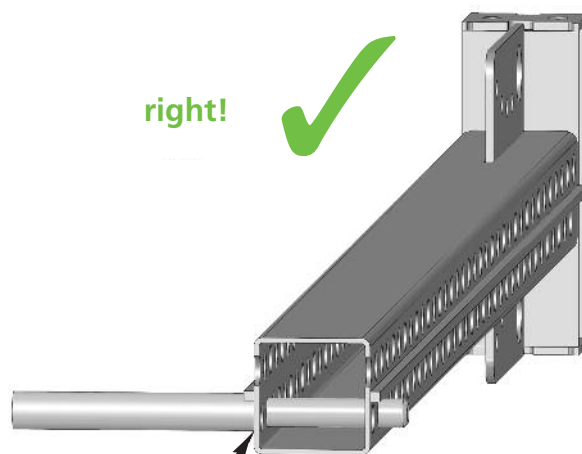




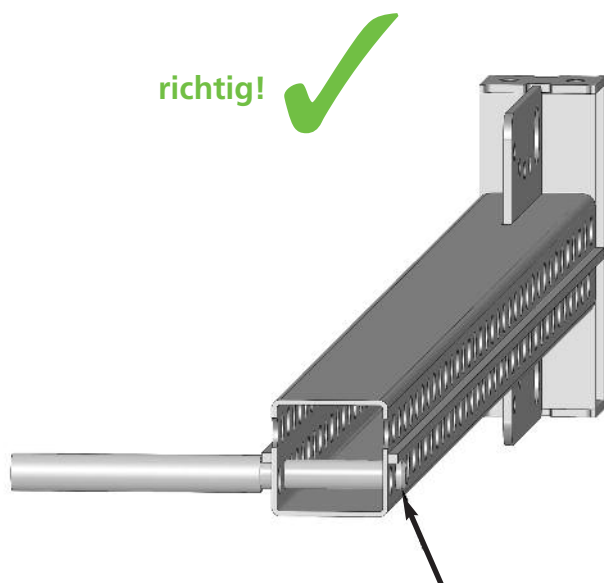
### 13. General instructions for the correct use of cotter pins



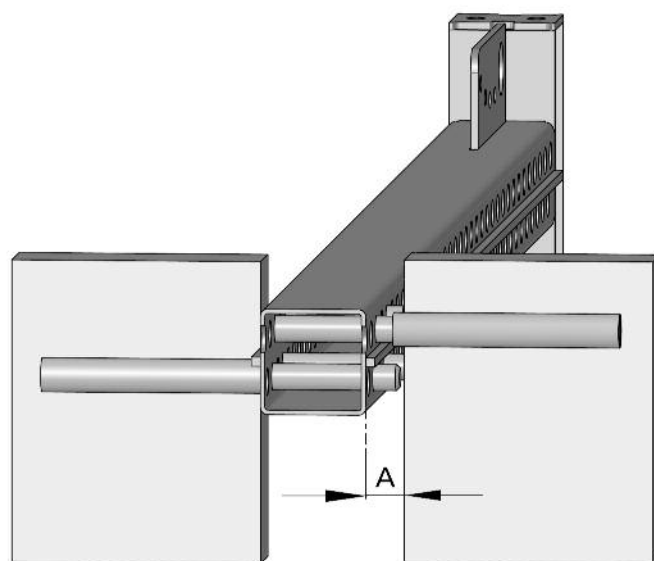
*Cotter pin must engage in both holes!*



*Plastic cover on stop*



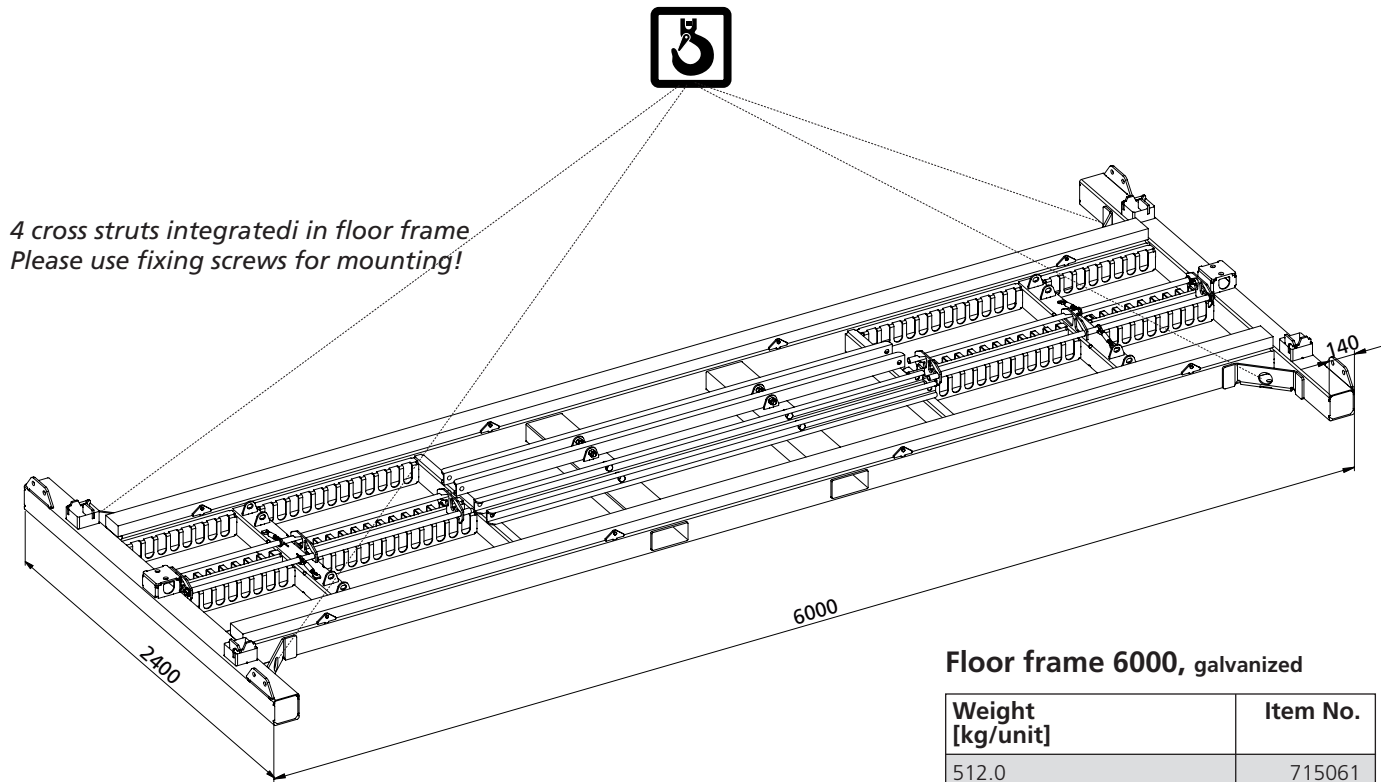
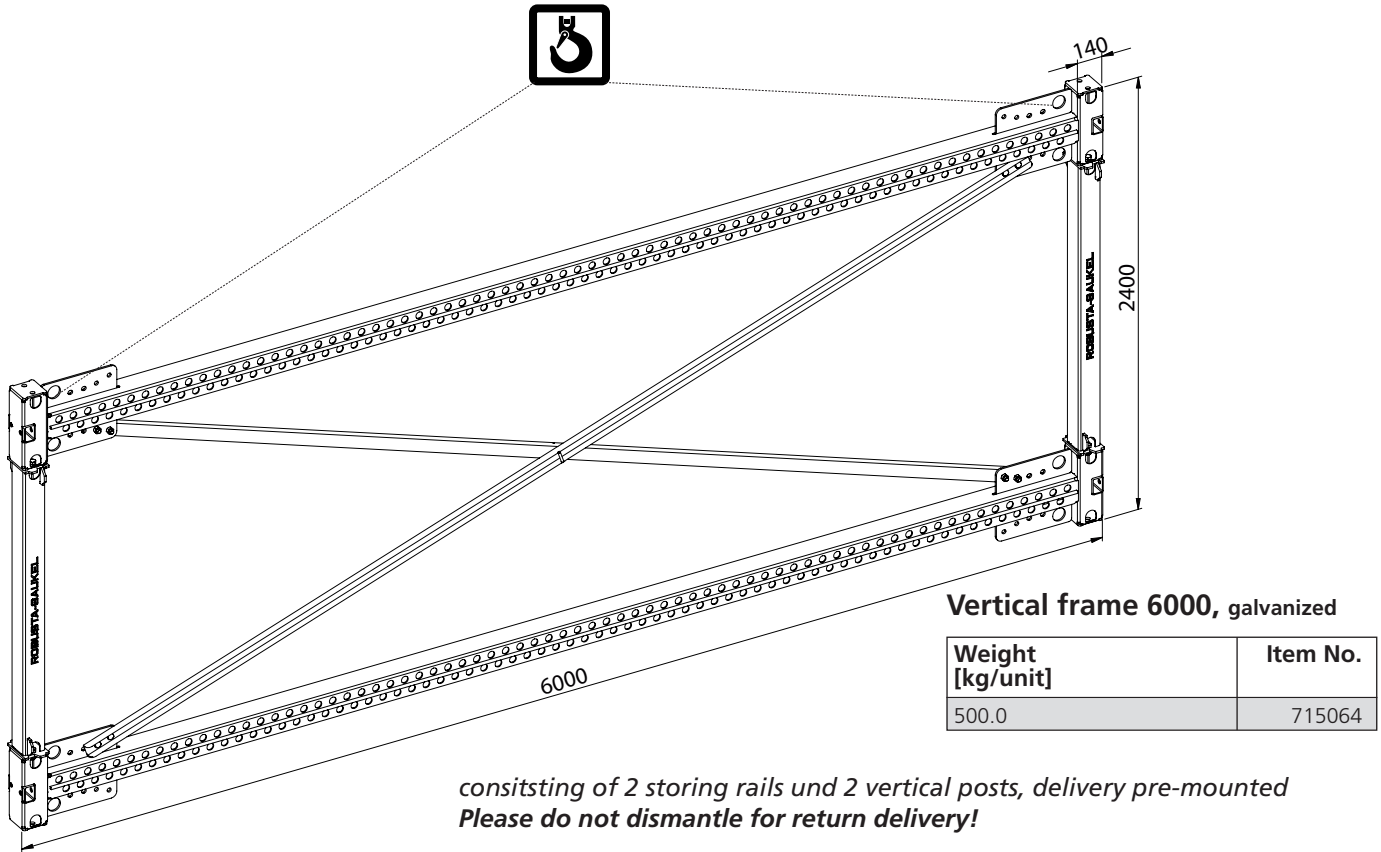
*Cotter pin flush with stop profile at rear*



*Max. clear distance A = 50 mm between perforated beam and wall element*



#### 14. Overview of the individual components of DepoFlex 6000





# DEPOFLEX STORAGE RACK 6000 / 6000 PLUS

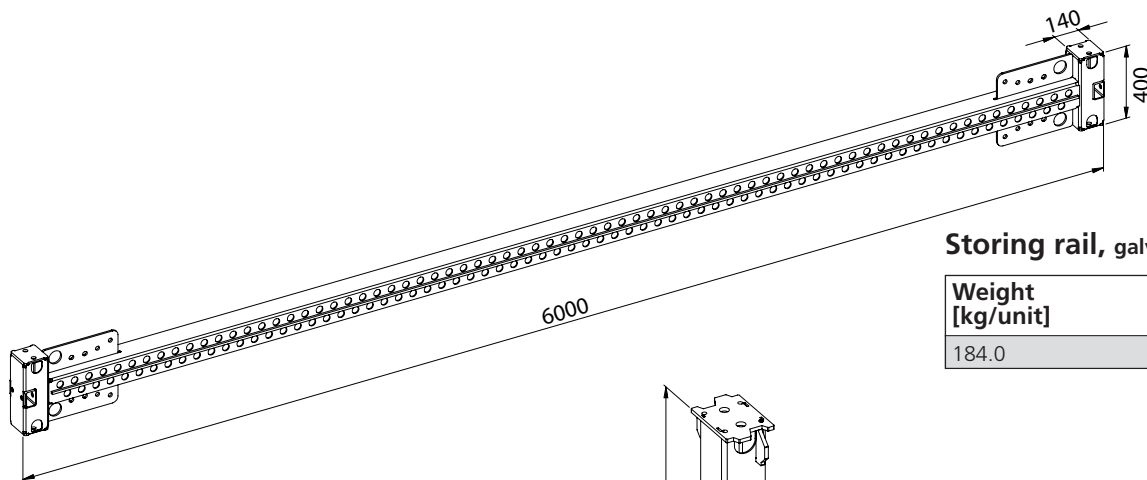
Item No. 715060 – 715065

7

## ORIGINAL ASSEMBLY INSTRUCTIONS

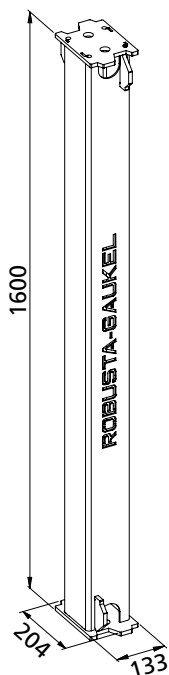
01.01.2024

Page 18 from 22



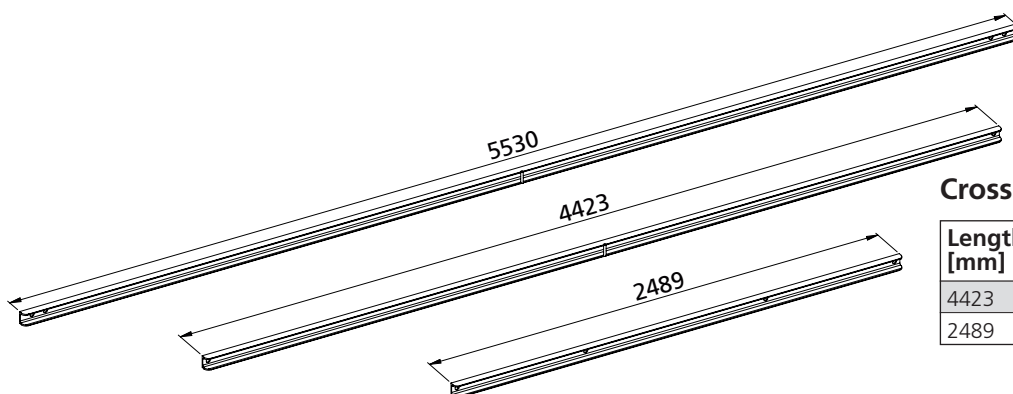
**Storing rail, galvanized**

Weight [kg/unit]	Item No.
184.0	715062



**Vertical post, galvanized**

Weight [kg/unit]	Artikel-Nr.
25.9	715063

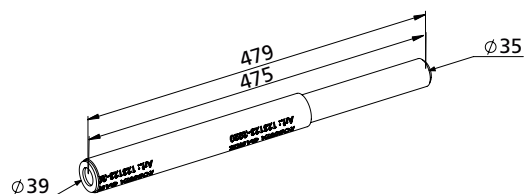


**Cross struts, galvanized**

Length [mm]	Weight [kg/unit]	Item No.
4423	32.0	950679
2489	18.0	950678

**Diagonal struts, galvanized**

Length [mm]	Weight [kg/unit]	Item No.
5330	40,0	960677



**Pin, solid, plastic coating**

Length [mm]	Weight [kg/unit]	Item No.
475	3.80	719902



## 15. Disposal

In principle, material that is no longer usable or defective must be disposed properly and professionally in accordance with the applicable legal regulations.

The components are made of galvanised or hot-dip galvanised steel. These can usually be disposed in the steel scrap without further dismantling.



Further information Catalogue  
7.1 DepoFlex storage racks  
please scan code



# DEPOFLEX STORAGE RACK 6000 / 6000 PLUS

Item No. 715060 – 715065

7

ORIGINAL ASSEMBLY INSTRUCTIONS

01.01.2024

Page 21 from 22

## **ROBUSTA-GAUKEL GMBH & CO. KG**

### **Headquarter:**

Brunnenstraße 36  
D-71263 Weil der Stadt-Hausen  
Phone +49 7033 537 10  
Fax +49 7033 5371 31  
Internet [www.robusta-gaukel.com](http://www.robusta-gaukel.com)  
E-Mail [info@robusta-gaukel.com](mailto:info@robusta-gaukel.com)

### **Berlin office:**

Rohdestraße 19  
D-12099 Berlin (Tempelhof)  
Phone +49 30 75707000  
Fax +49 30 75707007  
Internet [www.robusta-gaukel.com](http://www.robusta-gaukel.com)  
E-Mail [nl-berlin@robusta-gaukel.com](mailto:nl-berlin@robusta-gaukel.com)