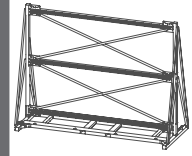


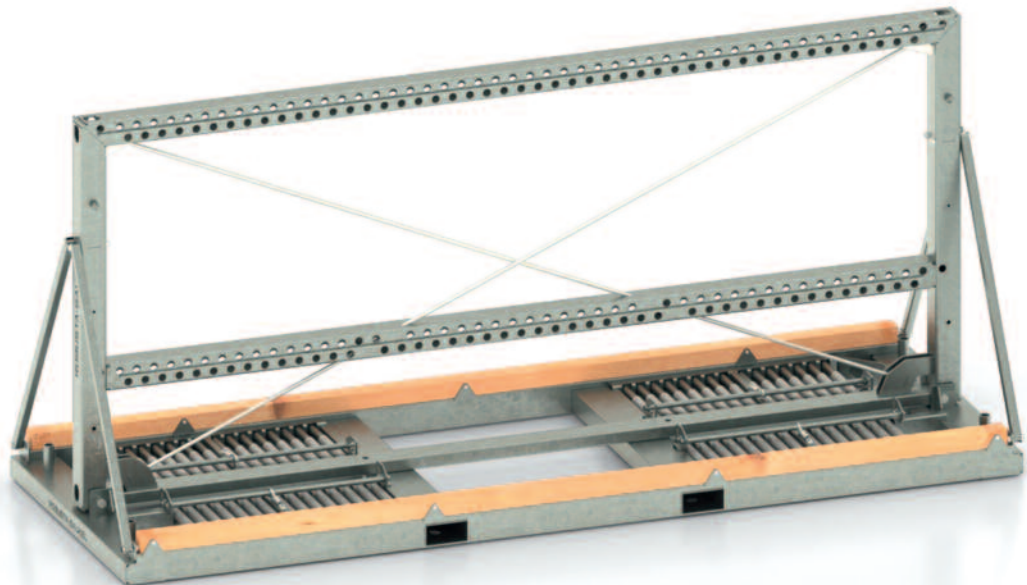
7

DEPOFLEX STORAGE RACK 4000

Item No. 715040



ORIGINAL ASSEMBLY INSTRUCTIONS



ROBUSTA
GAUKEL



1. General safety instructions

1.1. Fundamental

- These assembly instructions contain information on the correct assembly and use of the products described below.
- In addition, the country-specific rules and regulations must be observed. Furthermore, special local features must be observed during installation. If there are any uncertainties or questions, please consult ROBUSTA-GAUKEL.
- The assembly states shown are to be understood as exemplary intermediate states, these must therefore not always be completely correct in terms of safety. In principle, the regulations of the accident prevention regulations must always be observed.
- Unauthorised modifications to the components are not permitted. In the event of deviations from these instructions or further use, our express consent is required. In such cases, please consult the technical department of ROBUSTA-GAUKEL.
- The employer must ensure that these instructions are available in paper form at the place of work. He is also responsible for the safety of the workers in the particular situation on site.

In addition to these instructions, the employer must prepare a risk analysis, taking into account the conditions and circumstances at the respective places of use.

During assembly or installation, the hierarchy of measures according to the occupational health and safety act must be observed.

1.2 Copyright

- This documentation is protected by copyright. Any use or modification outside the narrow limits of copyright law without the consent of ROBUSTA-GAUKEL GMBH & CO.KG is prohibited and liable to prosecution.

1.3 Qualified and authorised persons

- Qualified and authorised persons are able, on the basis of their education and training, to carry out the tasks assigned to them in accordance with the rules of technology and taking into account the safety requirements. They are commissioned to do so by the contractor.

1.4 Claims for defects

- ROBUSTA-GAUKEL accepts no liability for damages:
 - In case of improper use / operation
 - When used in combination with accessories or fastening parts that do not come from ROBUSTA-GAUKEL
 - In case of modifications of components and unauthorised conversions
 - In case of improper assembly, maintenance, inspection and servicing
 - When installing parts that are not original parts.
 - When using unqualified and unauthorised persons
 - Towards third parties

1.5. Review

- The functional capability of the product must be checked by a qualified and authorised person before assembly.
- All parts must be carefully checked for damage or other impairments that reduce the load-bearing capacity and replaced if necessary.
- The components and correct assembly must be checked regularly by a qualified and authorised person in accordance with these instructions.
- Damaged material that is no longer functional must be stored and labelled in such a way that further use is excluded! Only original parts from ROBUSTA-GAUKEL are to be used.



Important points to be taken care of



Visual inspection



Mounting point for crane hook



2. Intended use

The ROBUSTA-DepoFlex storing racks serve as intermediate storage on the construction site or in the precast factory for the vertical adjustment of wall-type components such as wall formwork or precast concrete walls. The two staggered rows of holes in the perforated beams result in a narrow-stepped grid for inserting the pins. This ensures a space-saving and close positioning of the panels. To protect the panels, the pins are covered with a plastic coating. This cover serves as a stop when inserting into the perforated beam. When adjusting wall panels on both sides, a stop profile on the perforated beam prevents the insertion pin from being pushed out of its holder on the opposite side.

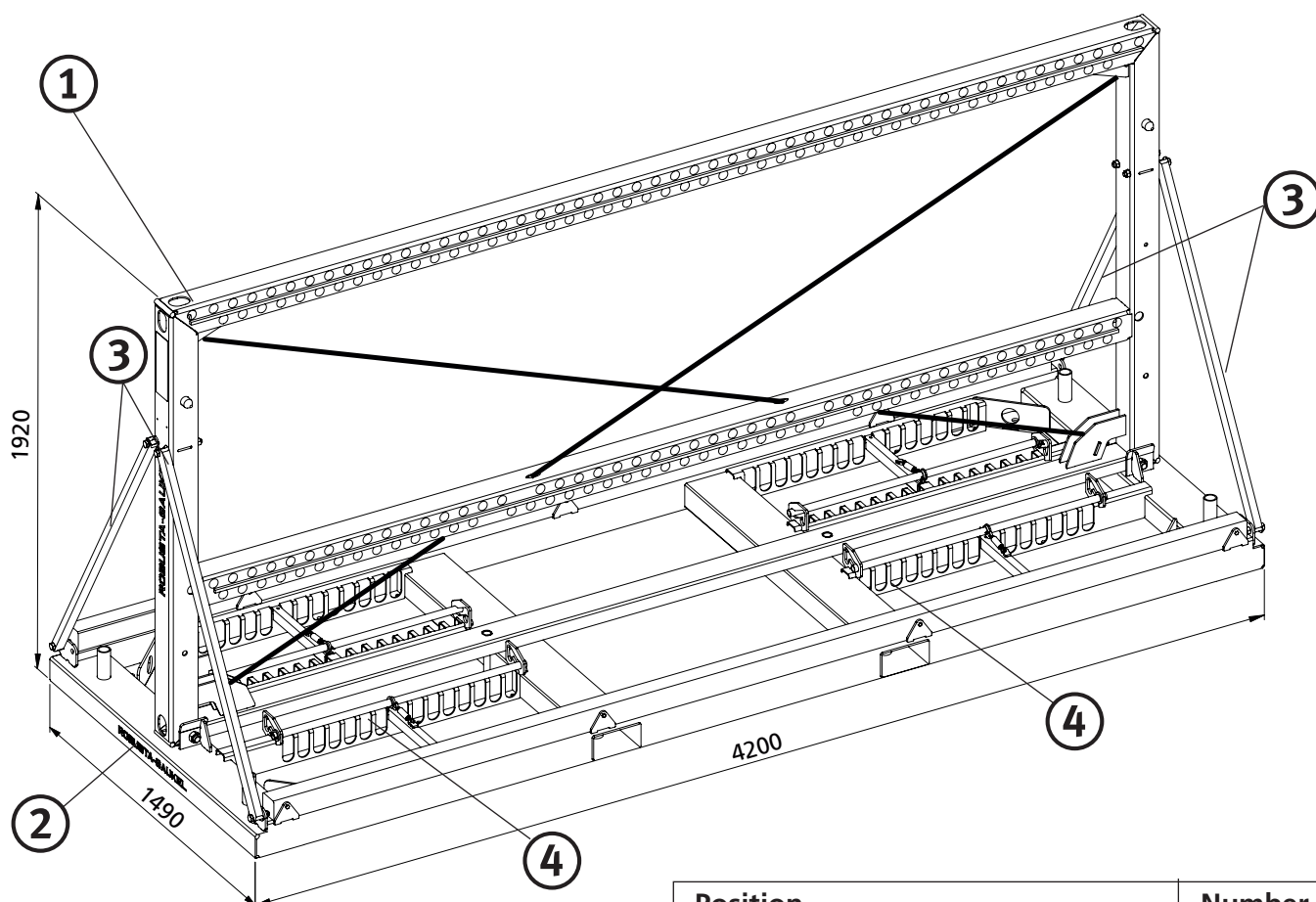
The lower perforated beam enables the setting of low panels, e.g. parapet elements.

In addition, the pins in the lower beam serve as a safeguard against twisting of the panels around the upper retaining point.

The frames form a frame-like, self-contained, static system that is stabilised by the self-weight of the adjusted elements on the floor frame. This floor frame is equipped with wooden beams for setting up the elements. These protect the sensitive edges of the elements against chipping.

Appropriate openings are provided in the base frame for safe transport of the empty racks with a forklift truck.

The stacking guides are designed so that the individual assemblies can be stacked on top of each other in any order.



DepoFlex storage rack 4000, galvanized

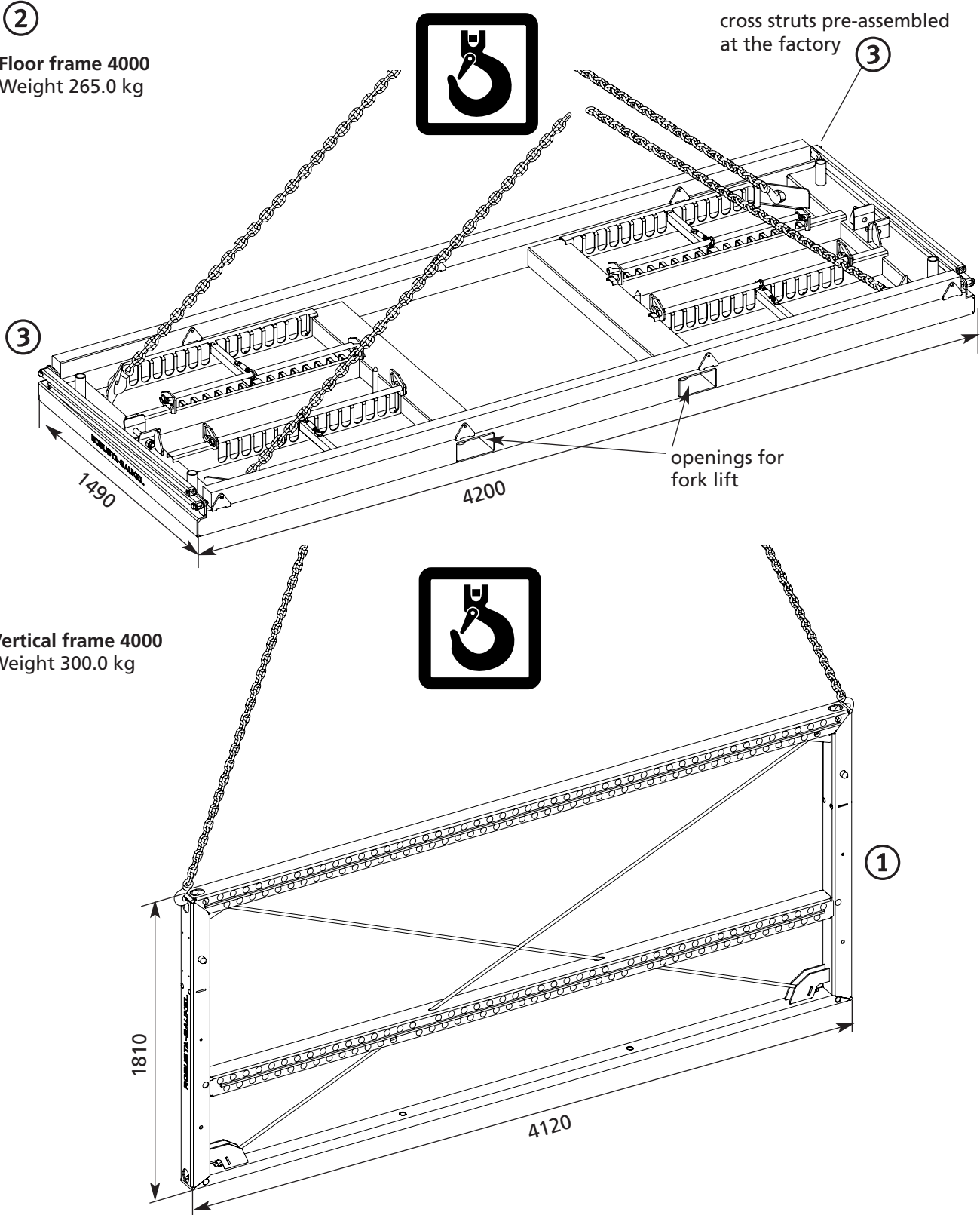
Length [mm]	Width [mm]	Height [mm]	Weight [kg/unit]	Item No.
4200	1490	1920	670.0	715040

Position	Number
① Vertical frame, galvanized	1
② Floor frame, galvanized	1
③ Cross struts, galvanized	4
④ Pin holder for pins	112



3. Overview of the individual assemblies DepoFlex storage rack 4000

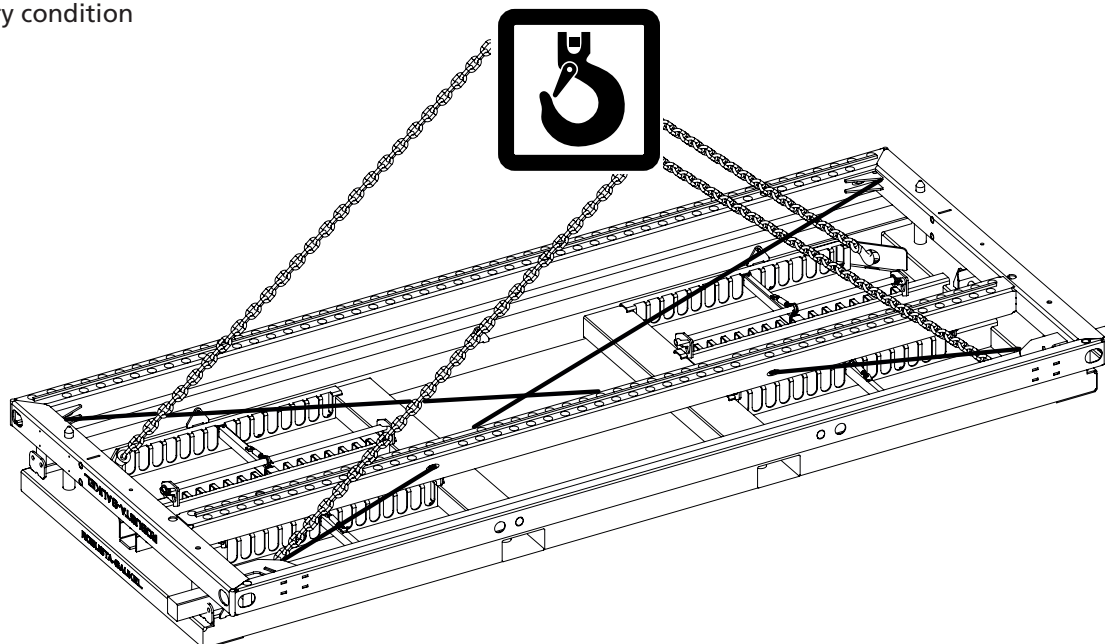
Representation: as delivered as factory pre-assembled assemblies Dimensions, weights and suspension points



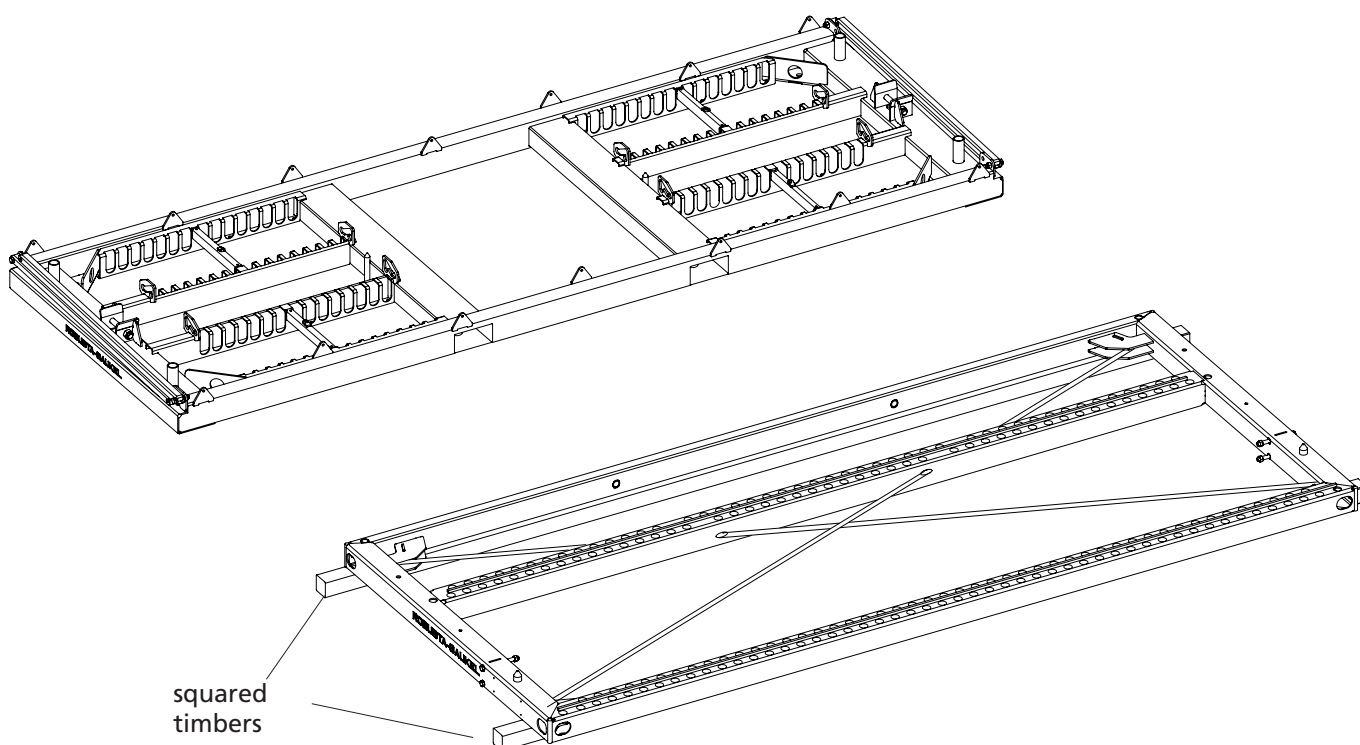


4. Structure DepoFlex storage rack 4000

Delivery condition

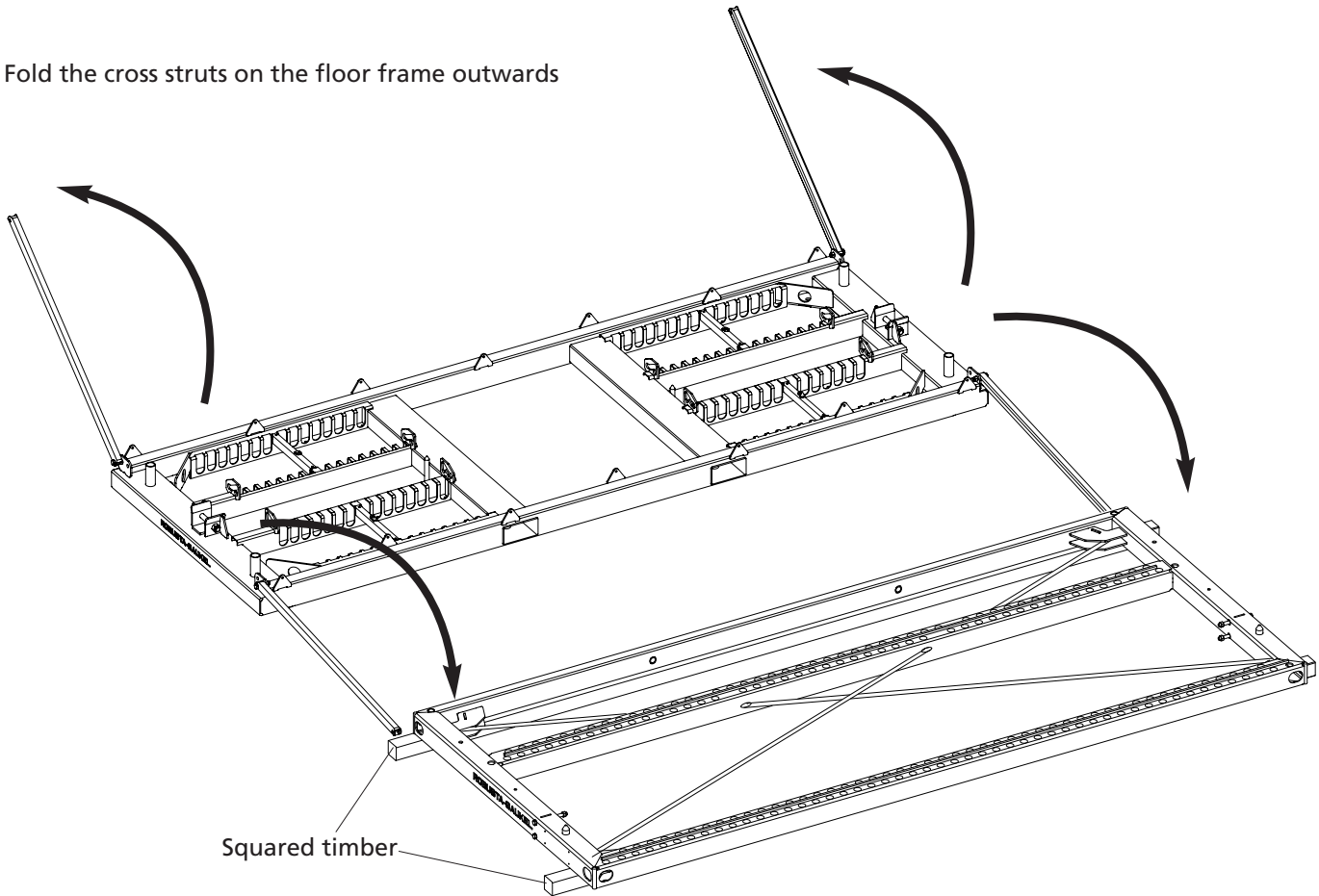


Place squared timbers on the floor at the appropriate distance apart and place the vertical frame on top.

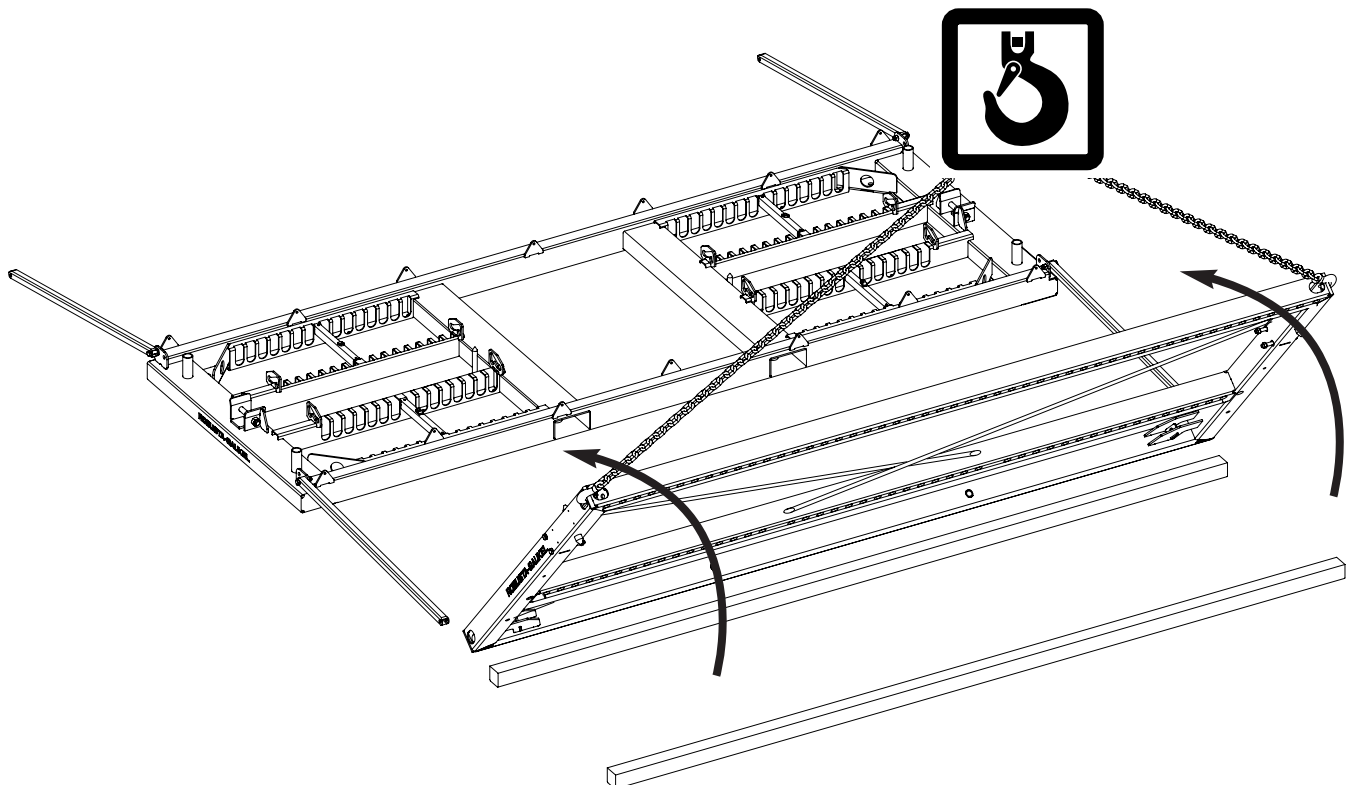




Fold the cross struts on the floor frame outwards

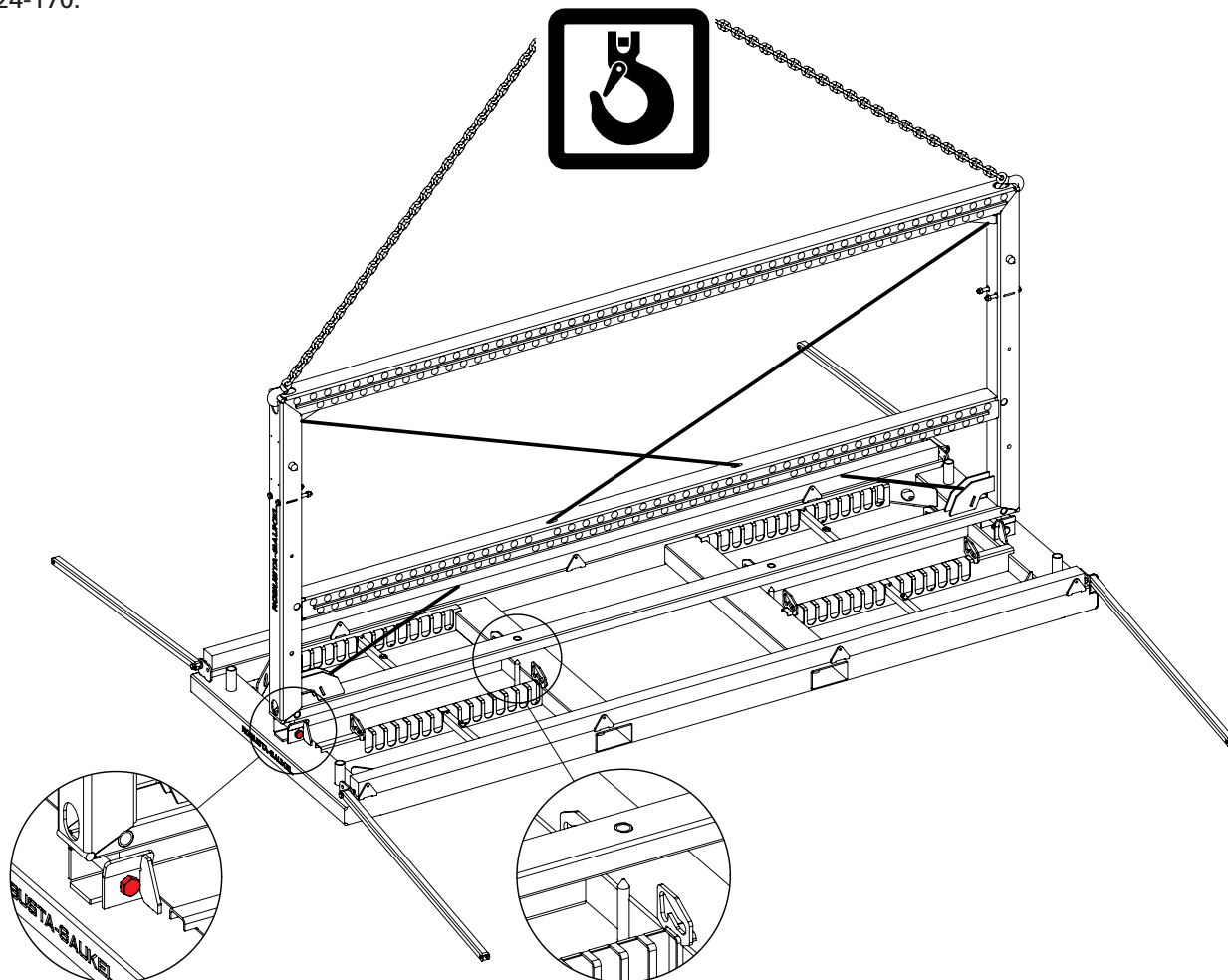


Raise and erect the vertical frame

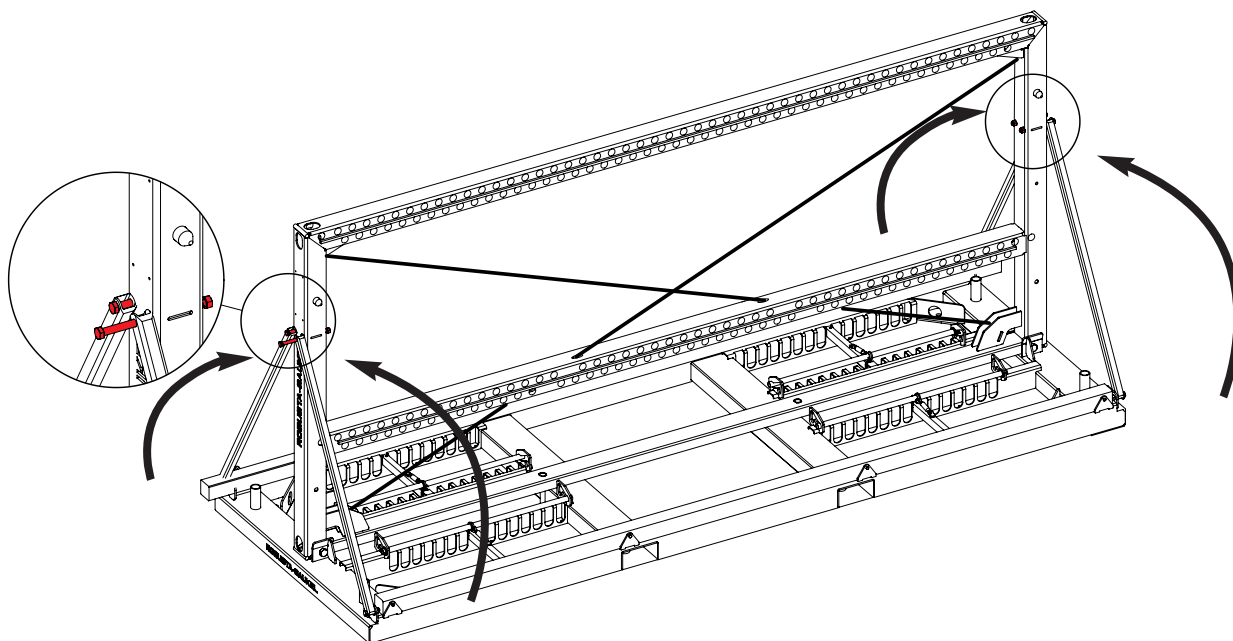




Place the vertical frame in the intended receptacle using the guide pins and screw it in place with the screws M24-170.



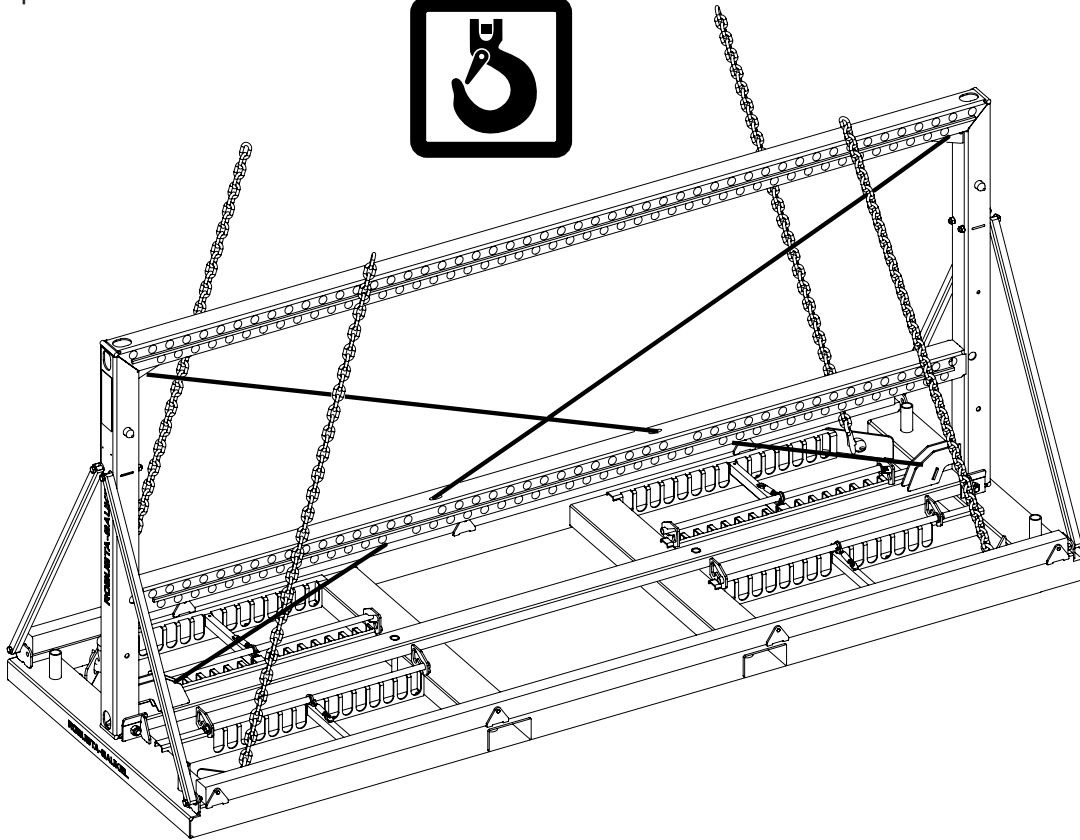
Erect the cross braces and fix them to the vertical frame with M16-180 bolts.





Can be moved in assembled state (empty!)

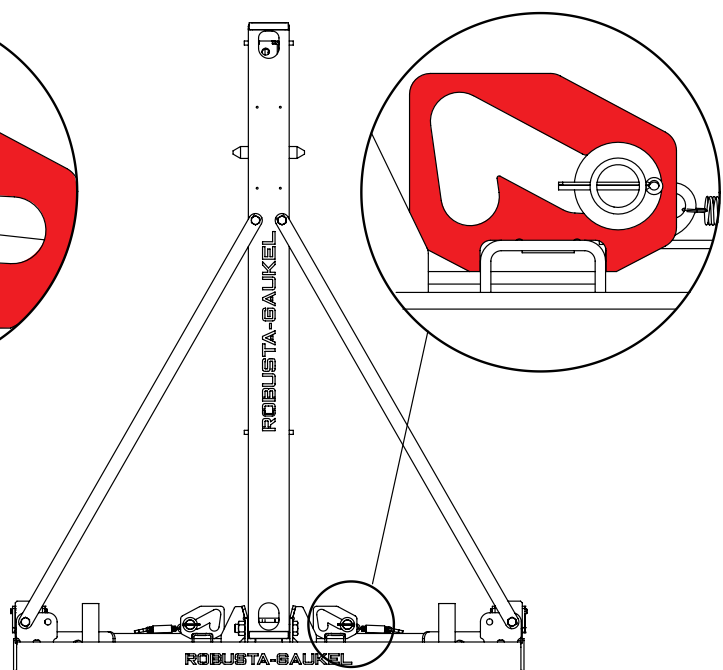
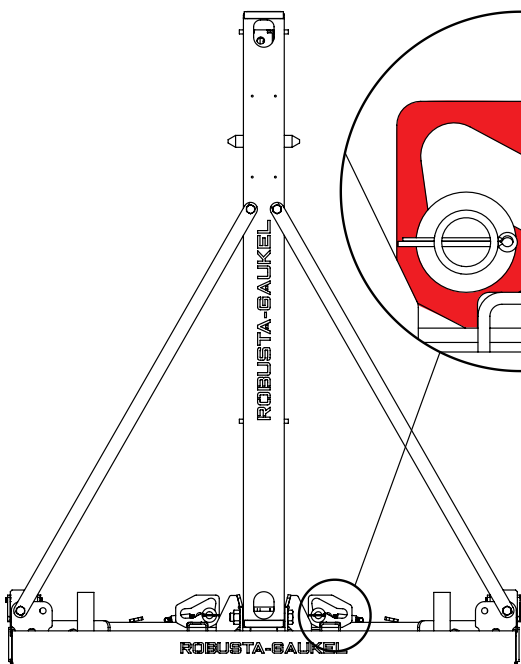
ATTENTION: .pin holder must be closed!

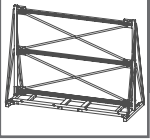


5. Pin holder with safety lock

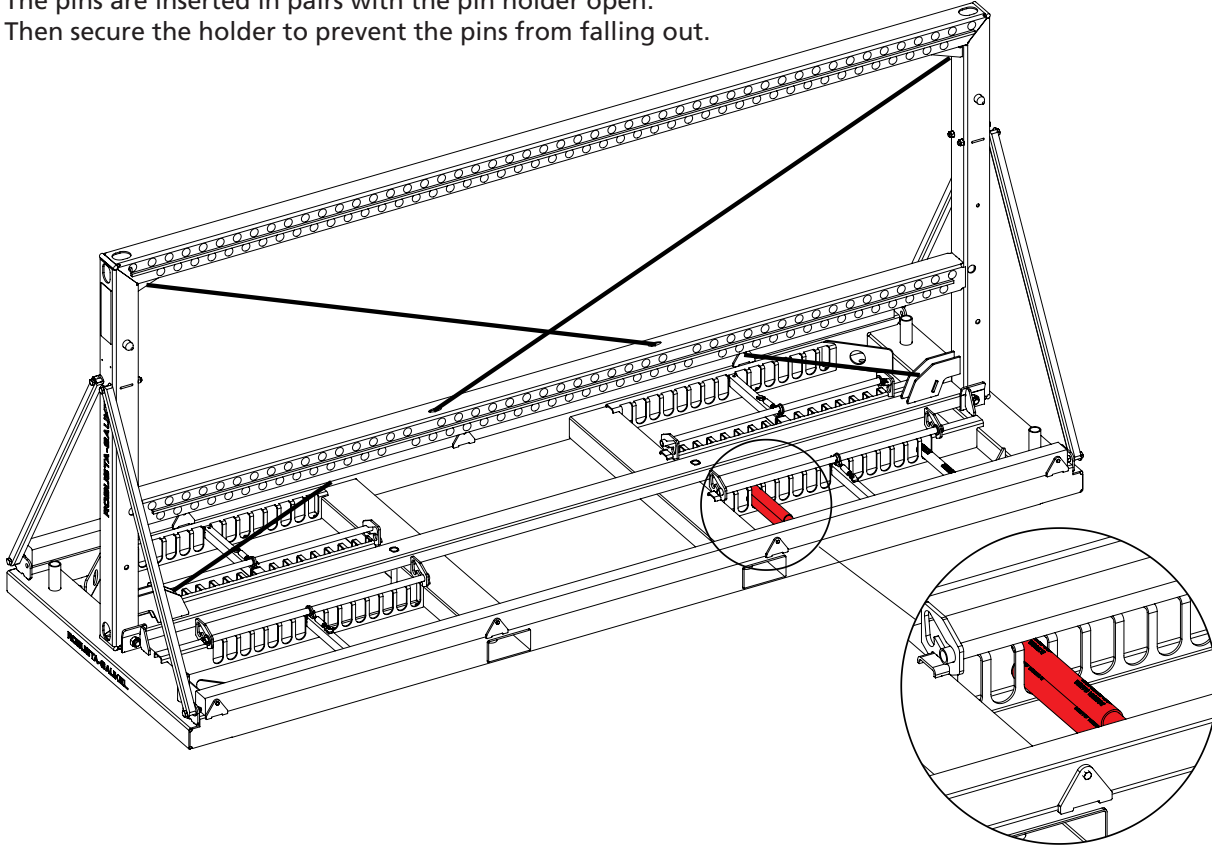
Pin holder open

Pin holder closed

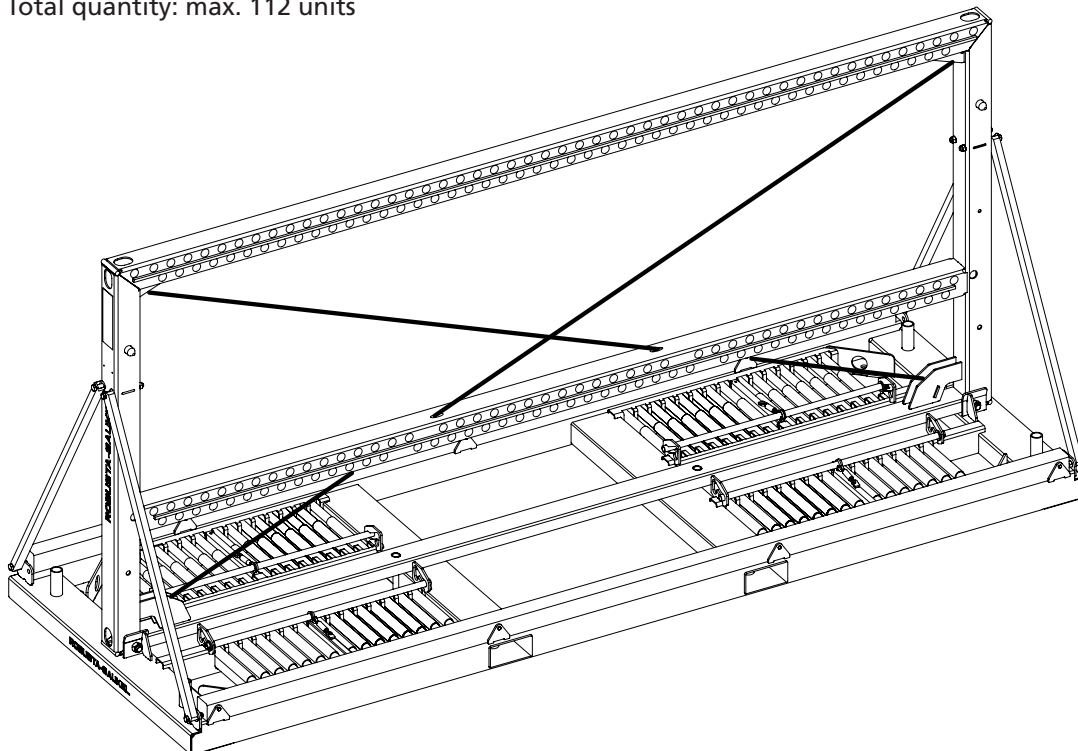




The pins are inserted in pairs with the pin holder open.
Then secure the holder to prevent the pins from falling out.



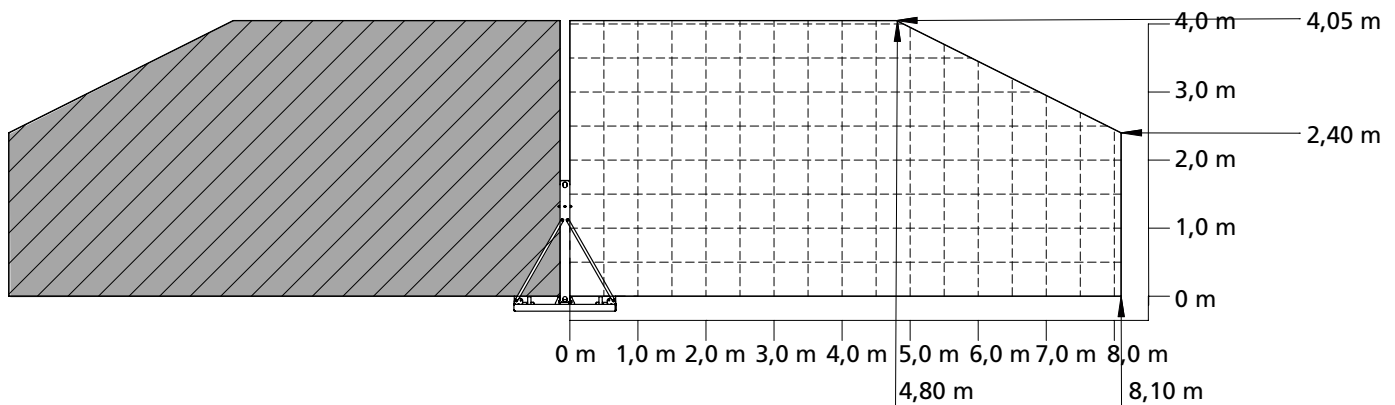
Floor frame completely filled with pins.
Total quantity: max. 112 units





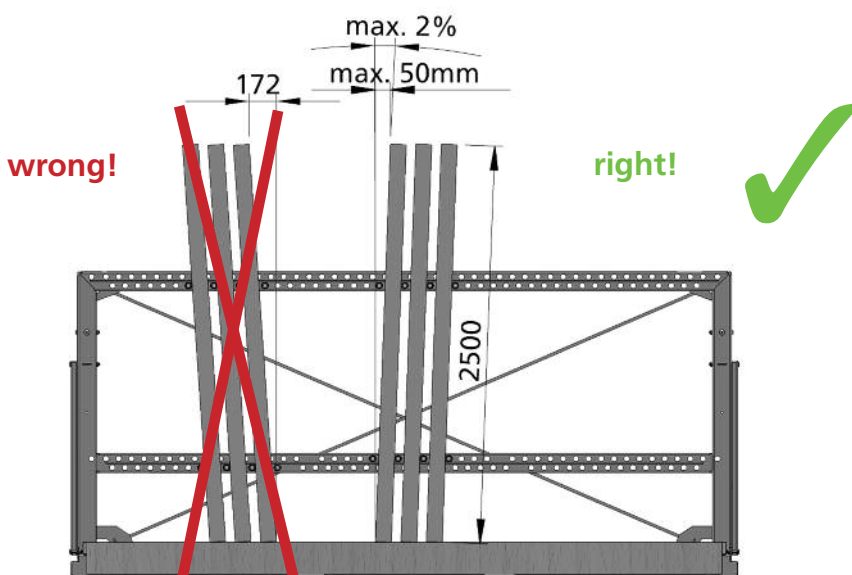
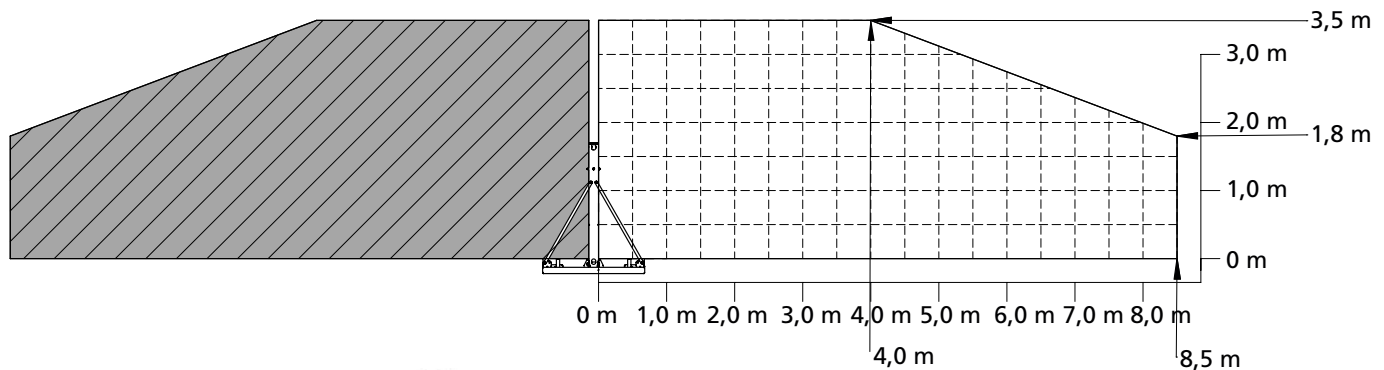
6. Overview of wall formwork storage

Maximum dimensions of the wall elements Ratio length/height max.
 max. length = 8,10 m, associated height = 2,40 m
 max. height = 4,05 m, associated length = 4,80 m



7. Overview of the storage of precast concrete elements

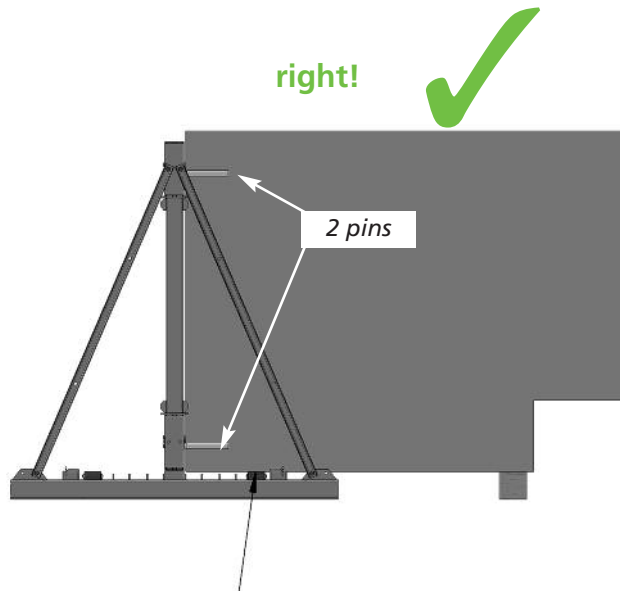
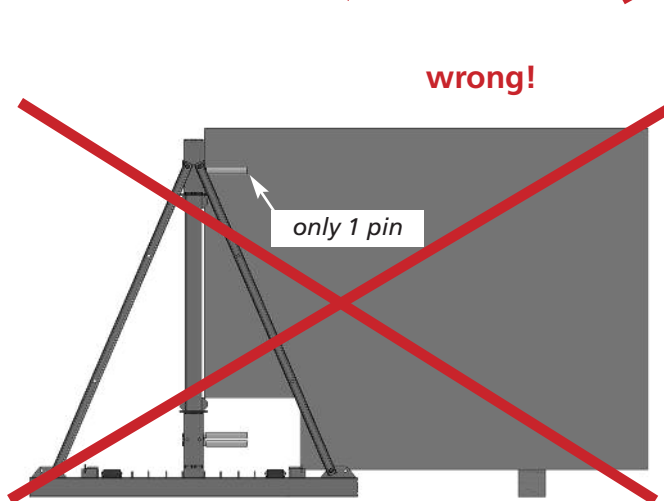
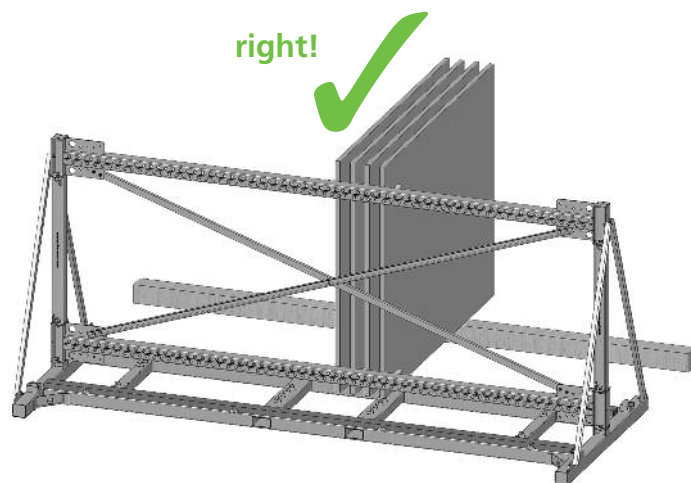
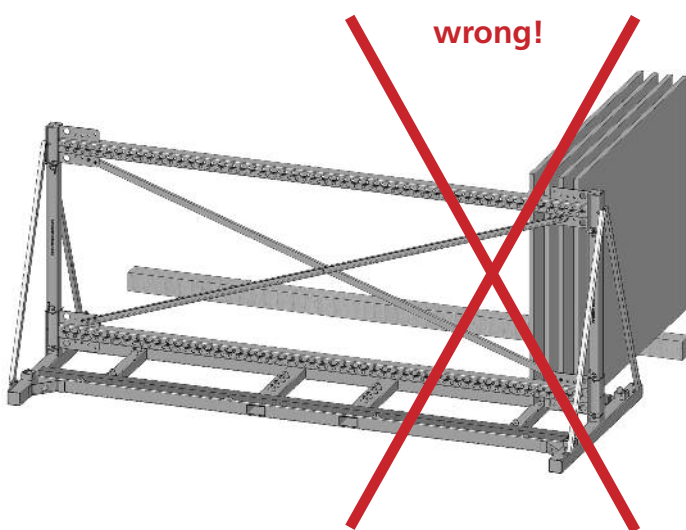
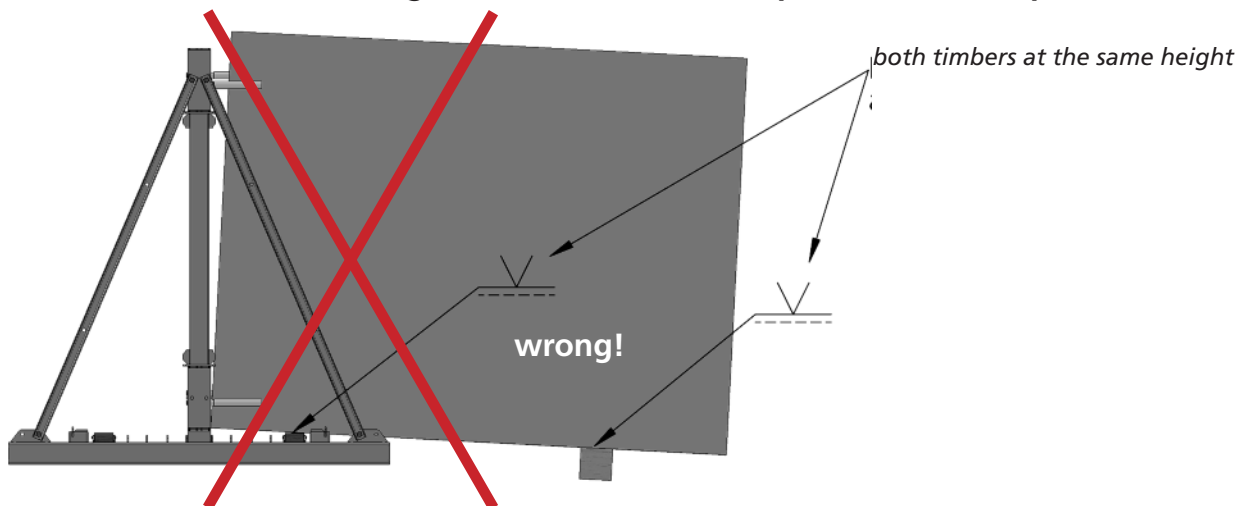
Maximum dimensions of the precast elements Ratio length / height
 max. length = 8,50 m, associated height = 1,80 m
 max. height = 3,50 m, associated length = 4,00 m



Attention: in general, make sure that wall formwork and precast concrete elements are set as vertically as possible from the centre outwards!

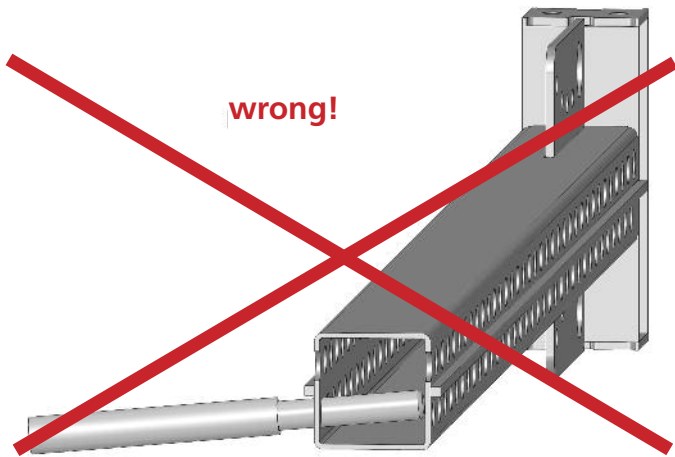


8. General instructions for the storage of wall elements and precast concrete parts



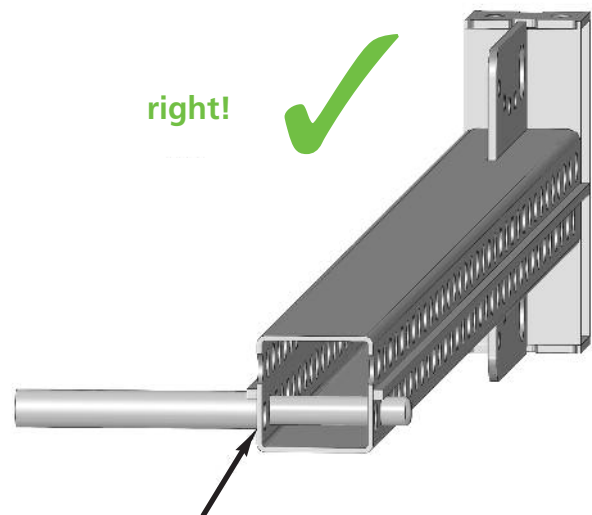


9. General instructions for the correct use of cotter pins



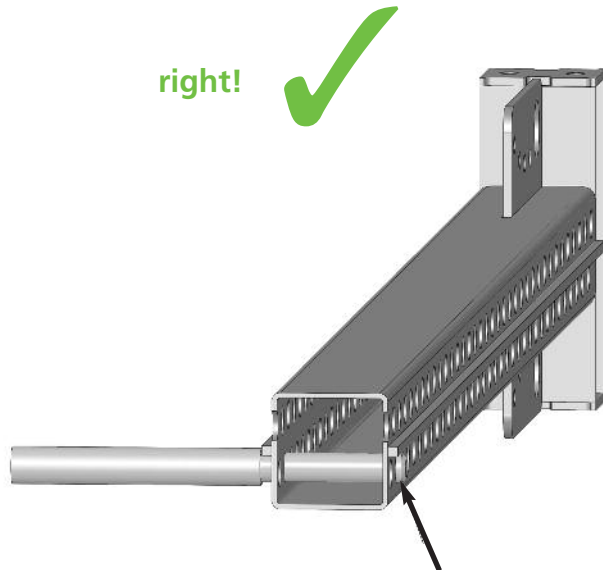
wrong!

Cotter pin must engage in both holes!



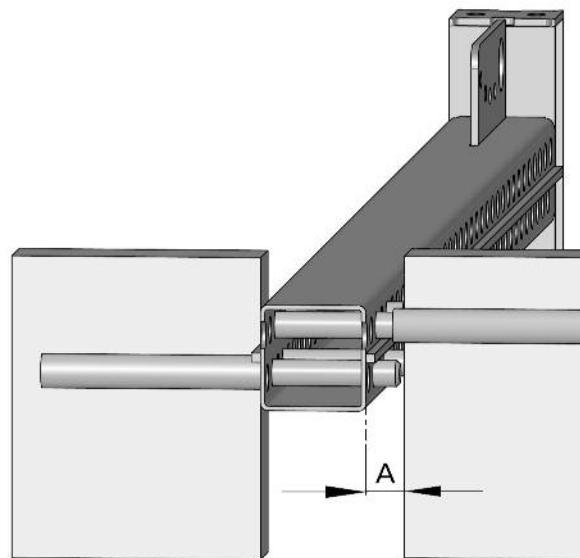
right! ✓

Plastic cover on stop



right! ✓

Cotter pin flush with stop profile at rear

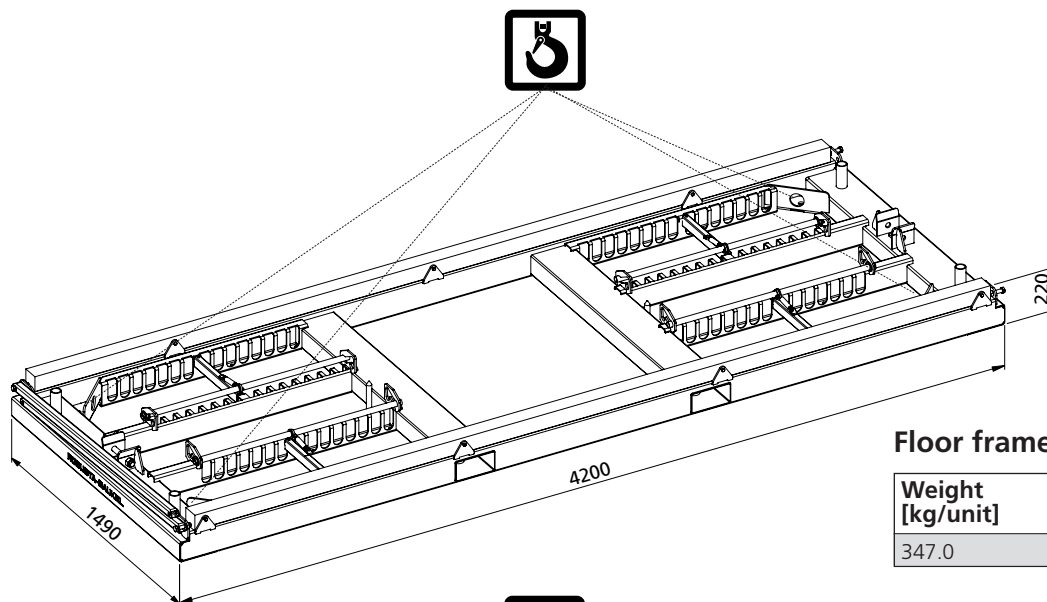


Max. clear distance A = 50 mm between perforated beam and wall element

Weight of wall element must rest on the wooden beams!

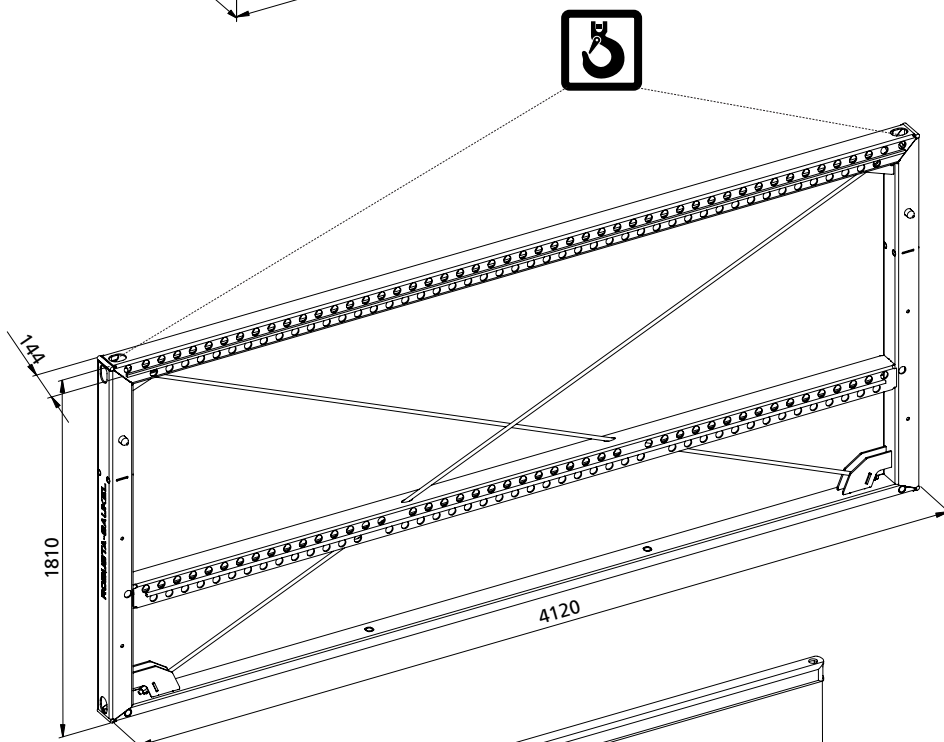


10. Overview of the individual components of DepoFlex 4000



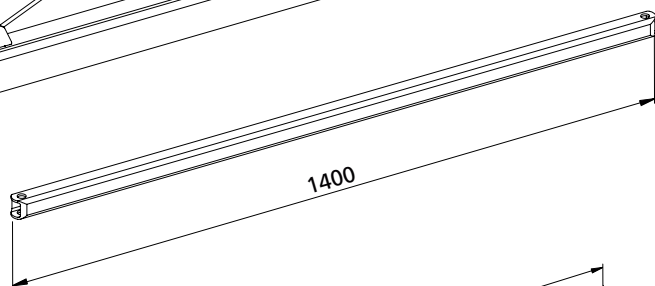
Floor frame 4000, galvanized

Weight [kg/unit]	Item No.
347.0	-



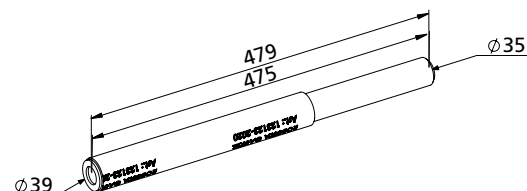
Vertical frame 4000, galvanized

Weight [kg/unit]	Item No.
300.0	-



Cross struts 4000, galvanized

Weight [kg/unit]	Item No.
6.60	950954



Pin, solid, plastic coating

Length [mm]	Weight [kg/unit]	Item No.
475	3.80	719902



11. Disposal

In principle, material that is no longer usable or defective must be disposed properly and professionally in accordance with the applicable legal regulations.

The components are made of galvanised or hot-dip galvanised steel. These can usually be disposed in the steel scrap without further dismantling.



Further information Catalogue
7.1 DepoFlex storage racks
please scan code



DEPOFLEX STORAGE RACK 4000 ITEM NO. 715040

7

ORIGINAL ASSEMBLY INSTRUCTIONS

01.07.2022

Page 15 from 16

ROBUSTA-GAUKEL GMBH & CO. KG

Headquarter:

Brunnenstraße 36
D-71263 Weil der Stadt-Hausen
Phone +49 7033 537 10
Fax +49 7033 5371 31
Internet www.robusta-gaukel.com
E-Mail info@robusta-gaukel.com

Berlin office:

Rohdestraße 19
D-12099 Berlin (Tempelhof)
Phone +49 30 75 70 70 00
Fax +49 30 75 70 70 07
Internet www.robusta-gaukel.com
E-Mail nl-berlin@robusta-gaukel.com