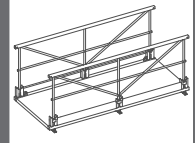


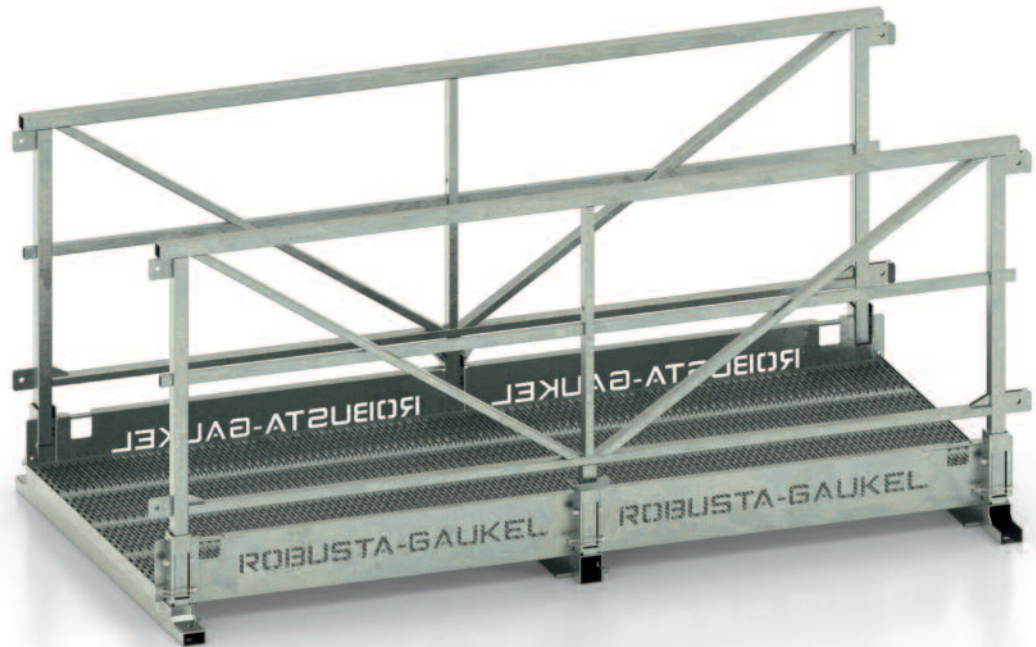
3

MULTI WALKWAY AND ACCESSORIES

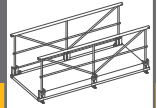
Item No. 370300



ORIGINAL ASSEMBLY INSTRUCTIONS



ROBUSTA
GAUKEL



1. General safety instructions

1.1. Fundamental

- These assembly instructions contain information on the correct assembly and use of the products described below.
- In addition, the country-specific rules and regulations must be observed. Furthermore, special local features must be observed during installation. If there are any uncertainties or questions, please consult ROBUSTA-GAUKEL.
- The assembly states shown are to be understood as exemplary intermediate states, these must therefore not always be completely correct in terms of safety. In principle, the regulations of the accident prevention regulations must always be observed.
- Unauthorised modifications to the components are not permitted. In the event of deviations from these instructions or further use, our express consent is required. In such cases, please consult the technical department of ROBUSTA-GAUKEL.
- The employer must ensure that these instructions are available in paper form at the place of work. He is also responsible for the safety of the workers in the particular situation on site.

In addition to these instructions, the employer must prepare a risk analysis, taking into account the conditions and circumstances at the respective places of use.

1.2 Copyright

- This documentation is protected by copyright. Any use or modification outside the narrow limits of copyright law without the consent of ROBUSTA-GAUKEL GMBH & CO.KG is prohibited and liable to prosecution.

1.3 Qualified and authorised persons

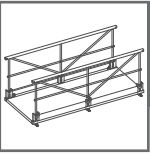
- Qualified and authorised persons are able, on the basis of their education and training, to carry out the tasks assigned to them in accordance with the rules of technology and taking into account the safety requirements. They are commissioned to do so by the contractor.

1.4 Claims for defects

- ROBUSTA-GAUKEL accepts no liability for damages:
 - In case of improper use / operation
 - When used in combination with accessories or fastening parts that do not come from ROBUSTA-GAUKEL
 - In case of modifications of components and unauthorised conversions
 - In case of improper assembly, maintenance, inspection and servicing
 - When installing parts that are not original parts.
 - When using unqualified and unauthorised persons
 - Towards third parties

1.5. Inspection

- The functional capability of the product must be checked by a qualified and authorised person before assembly.
- All parts must be carefully checked for damage or other impairments that reduce the load-bearing capacity and replaced if necessary.
- The components and correct assembly must be checked regularly by a qualified and authorised person in accordance with these instructions.
- Damaged material that is no longer functional must be stored and labelled in such a way that further use is excluded! Only original parts from ROBUSTA-GAUKEL are to be used.



2. Intended use

The ROBUSTA MULTI walkway serves as a safe transition e.g. from slope to building, from building to a crane, or also from ceiling to ceiling over a courtyard. It can be used for passenger traffic, due to the clear width of over 1.20 m it can also be walked on with a wheelbarrow.

The max. admissible surface load is 2.0 kN/m², the max. point load on a surface of 20 cm x 20 cm is 2.5 kN.

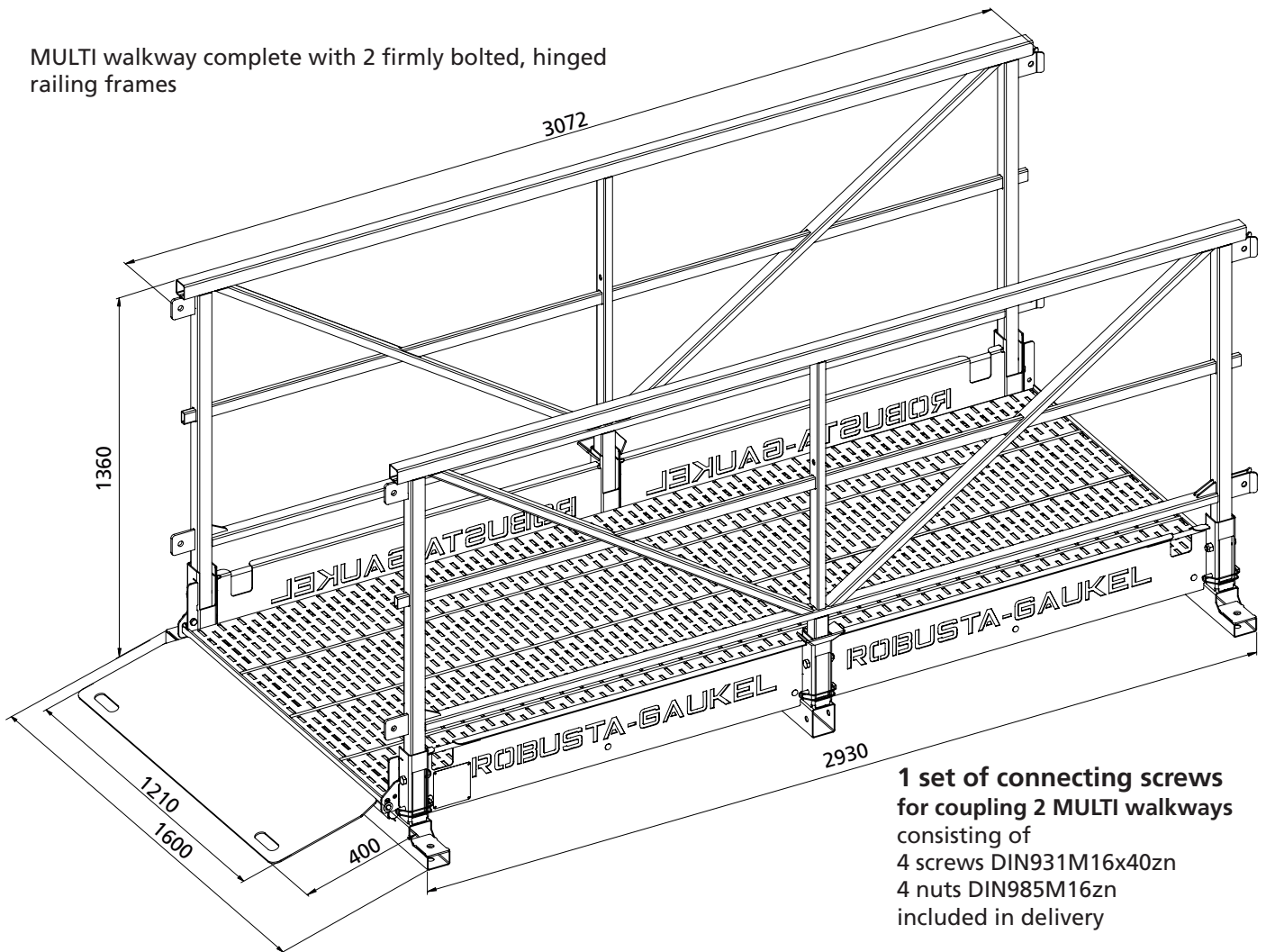
The max. permissible total load per platform is 7.5 kN.

Height offsets between the top edge of the web and the concrete slab can be bridged using trailing plates as an inclined ramp.

The folding side protection frames are an integral part of the design. In the unfolded state, they act statically as lattice girders. This makes it possible to couple several MULTI walkways one behind the other with great stability.

Any number of webs can be coupled one behind the other. Possible combinations without additional or with supports for larger spans, see point 4.

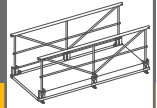
MULTI walkway complete with 2 firmly bolted, hinged railing frames



Optional accessories:
Drag plate, mountable on both sides

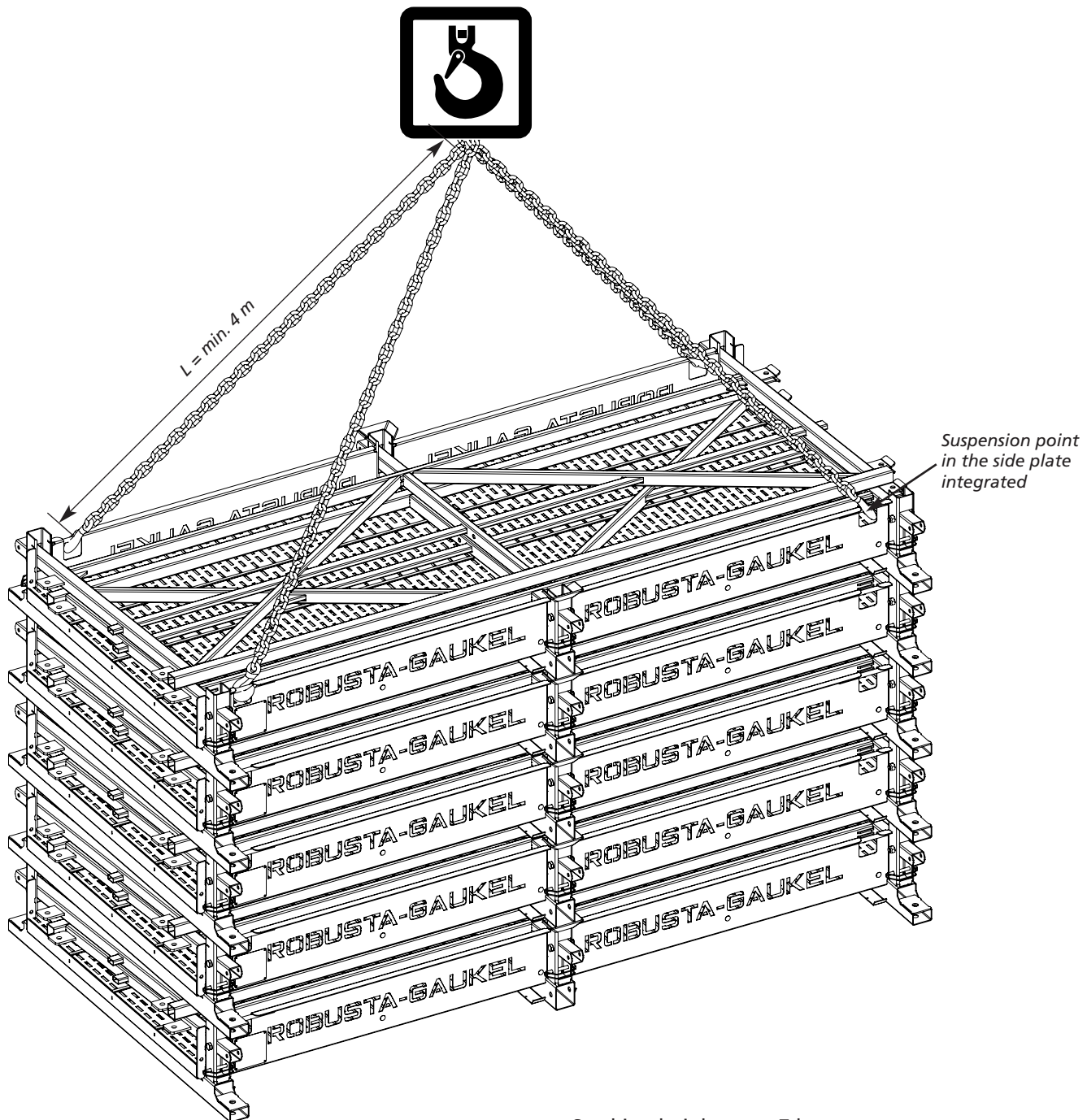
MULTI walkway

Measurements L x W x D [mm]	Weight [kg/unit]	Item No.
3100 x 1600 x 1360	315.0	370300



3. Assembly and Commissioning

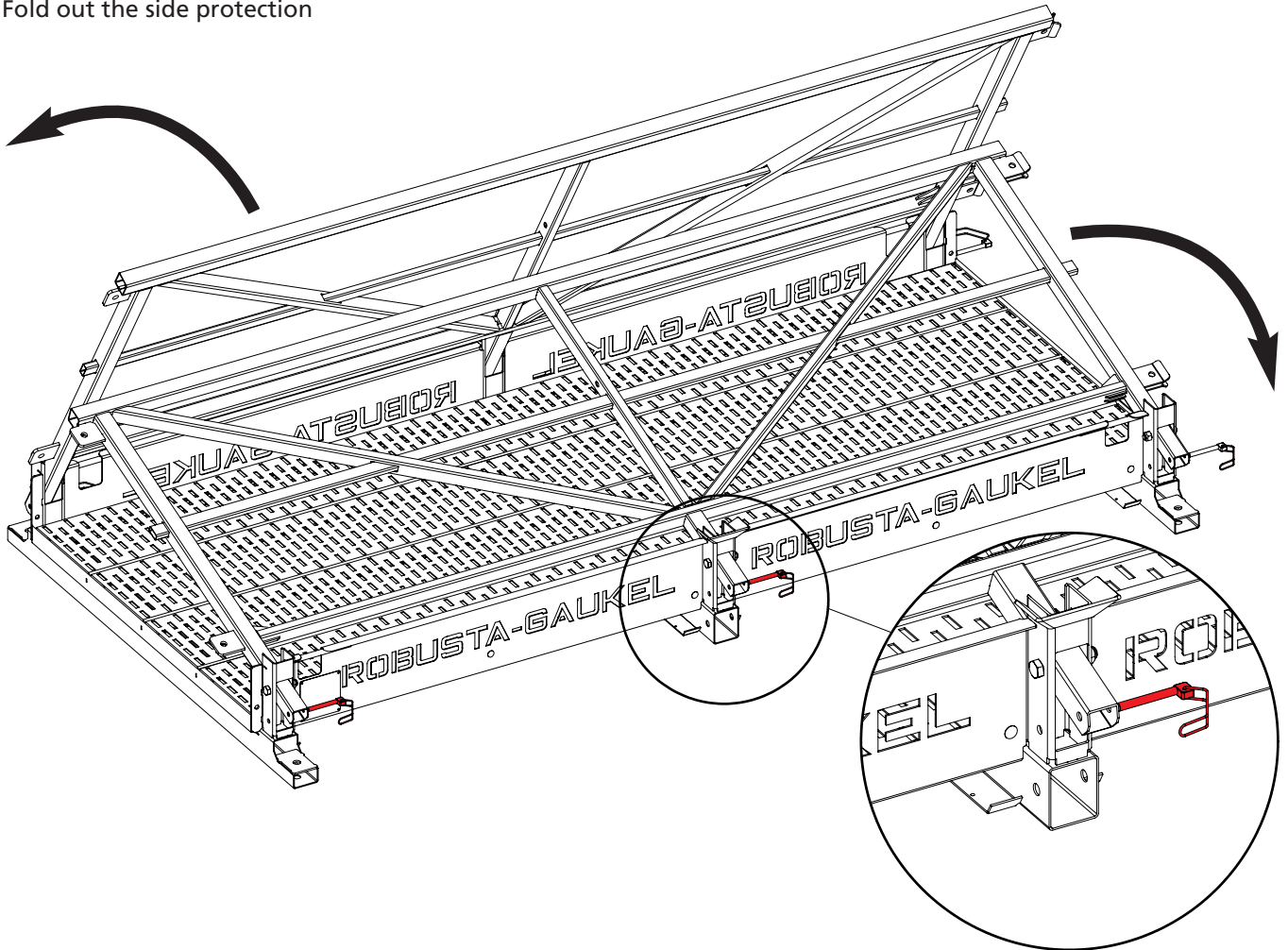
The unit is delivered in a folded and stacked condition. If required, the optional tow plates can be pre-assembled on both sides and folded in for transport.



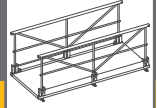
Stacking height max. 7 bars
Stacking height 2.39 m



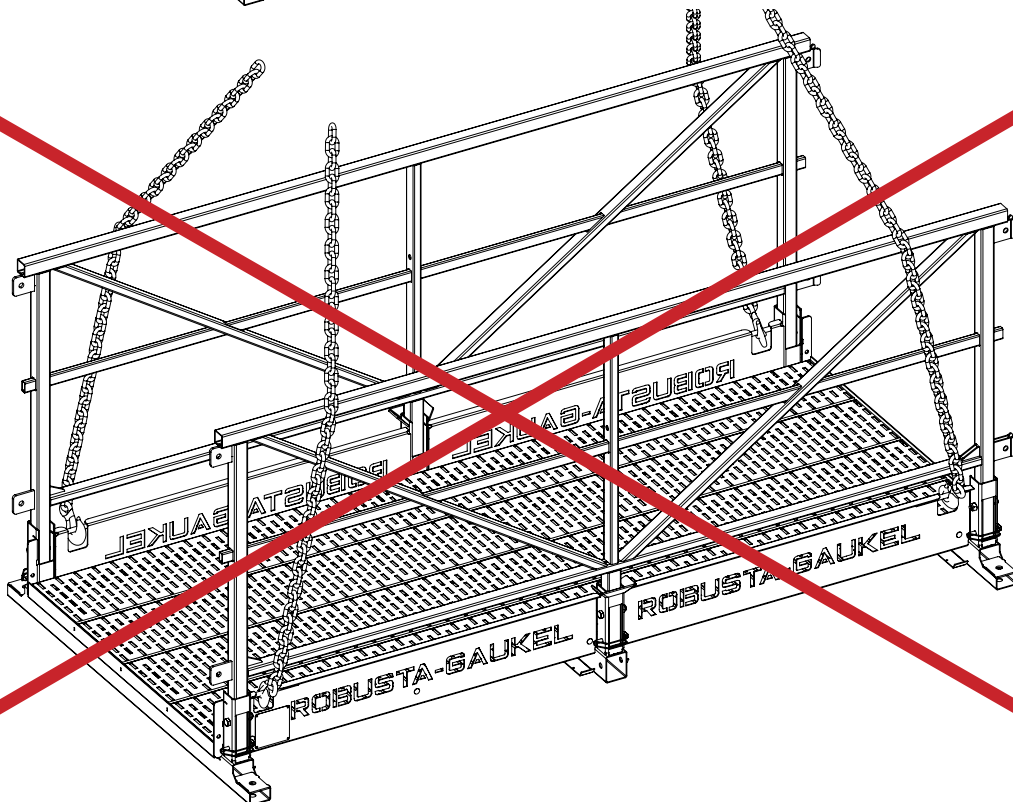
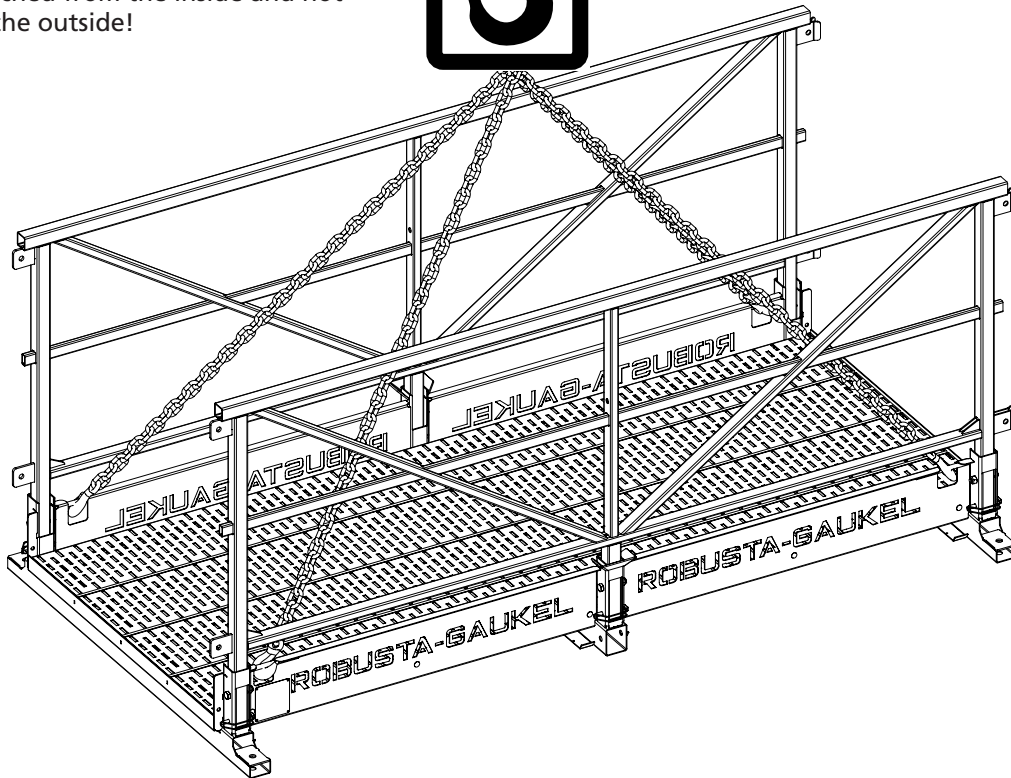
Fold out the side protection

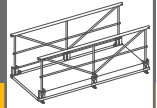


To unfold the guardrail frame, remove 3 spring clips per side. After raising the railing reinstall these plugs and secure them with the bracket to prevent them from falling out. After uprighting, the trailing plates can be folded out (if preassembled).

**Transport in assembled condition****ATTENTION!**

When transporting the fully assembled bar, make sure that the chains are attached from the inside and not from the outside!





4. Assembly of coupled MULTI stays

When the walkways are coupled, the guardrail frames must be supplemented with the guardrail stiffeners.

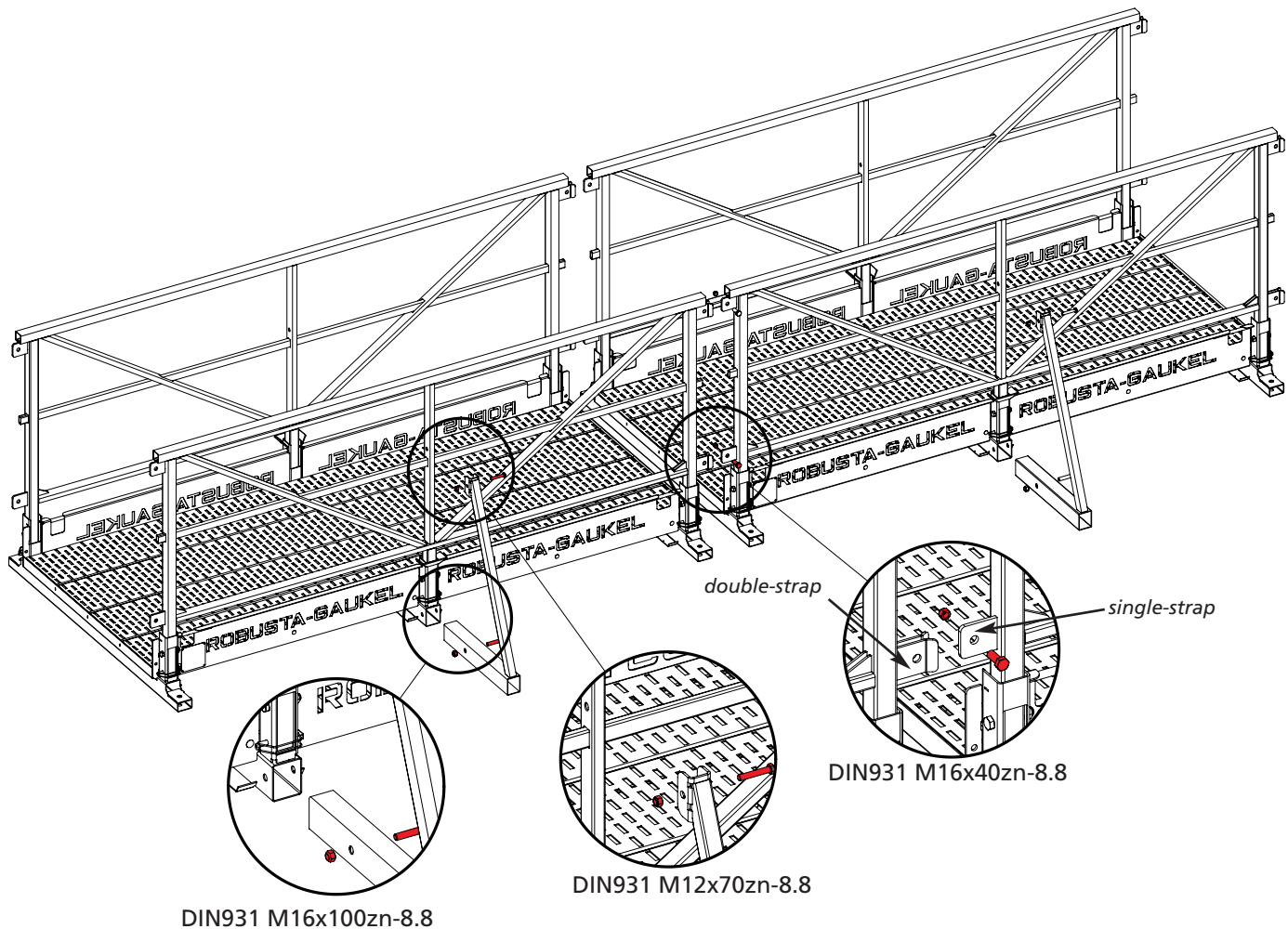
The MULTI walkways are coupled using the tie bars welded to the end faces of the guardrail frames.

On one end face, there are 2 individual sheet metal brackets per guardrail frame, and on the other end face, there are 2 double plates.

For assembly, the bars must be aligned with each other so that the single plate engages in the double plates.

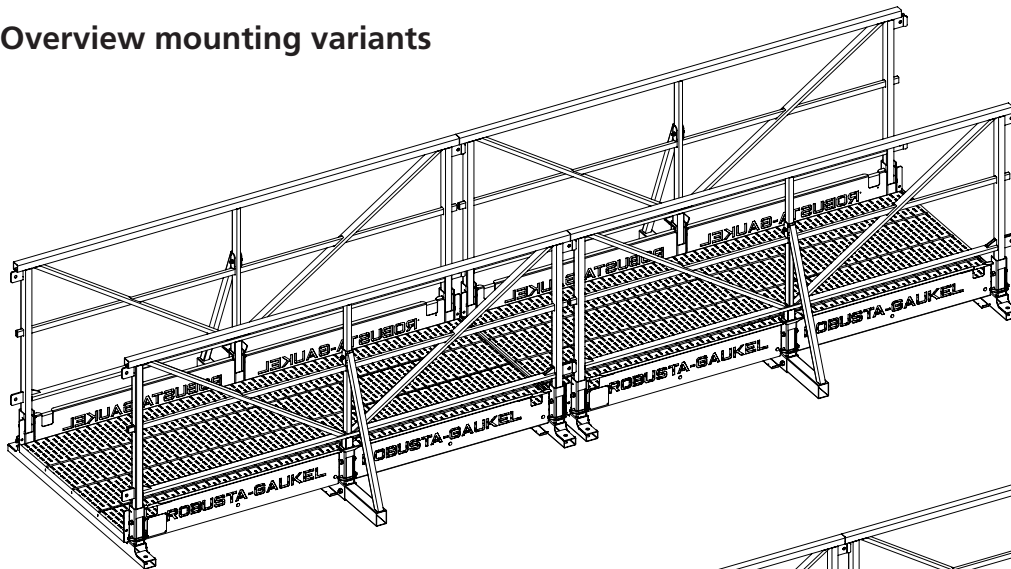
For the connection of 2 bars, 4 screws DIN931-M16x40zn-8.8 with hexagon nut DIN985-M16zn are required.

The railing stiffeners are inserted laterally into the cross tubes of the base frame and fastened with 1 screw DIN931-M16x100zn-8.8 with hexagon nut DIN985-M16zn to prevent them from slipping out. At the upper part of the diagonal brace, a U-profile embraces the vertical tube of the railing frame. Here the connection is made with a DIN931-M12x70zn-8.8 bolt with a DIN985-M12zn hexagon nut.

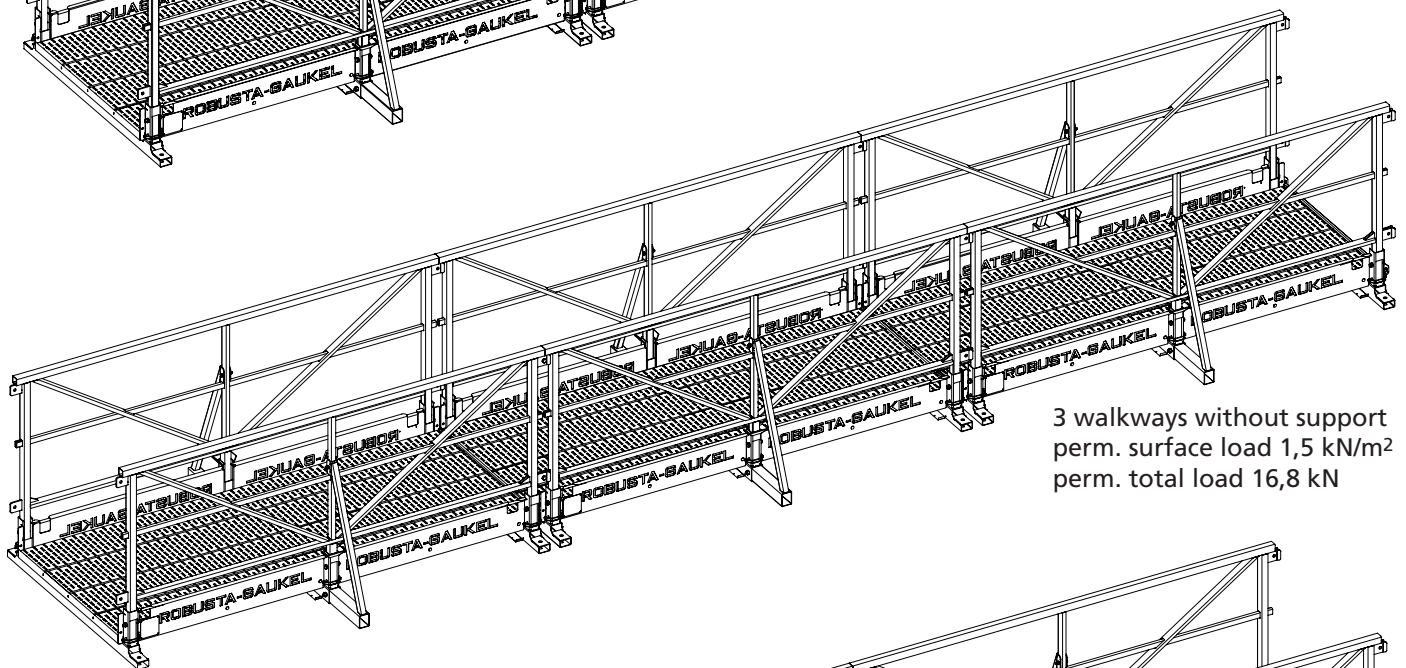




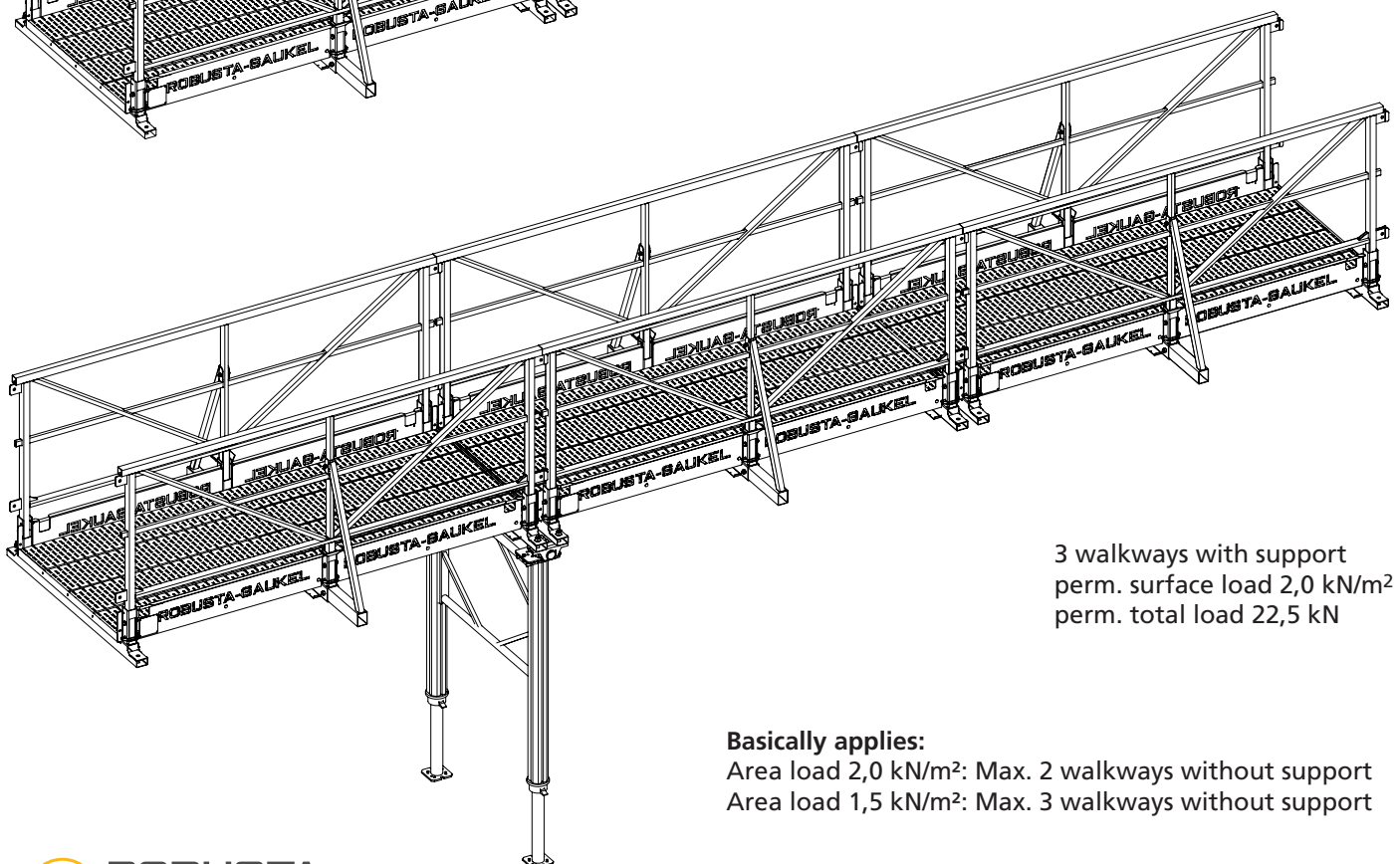
Overview mounting variants



2 walkways without support
perm. surface load 2,0 kN/m²
perm. total load 15,0 kN



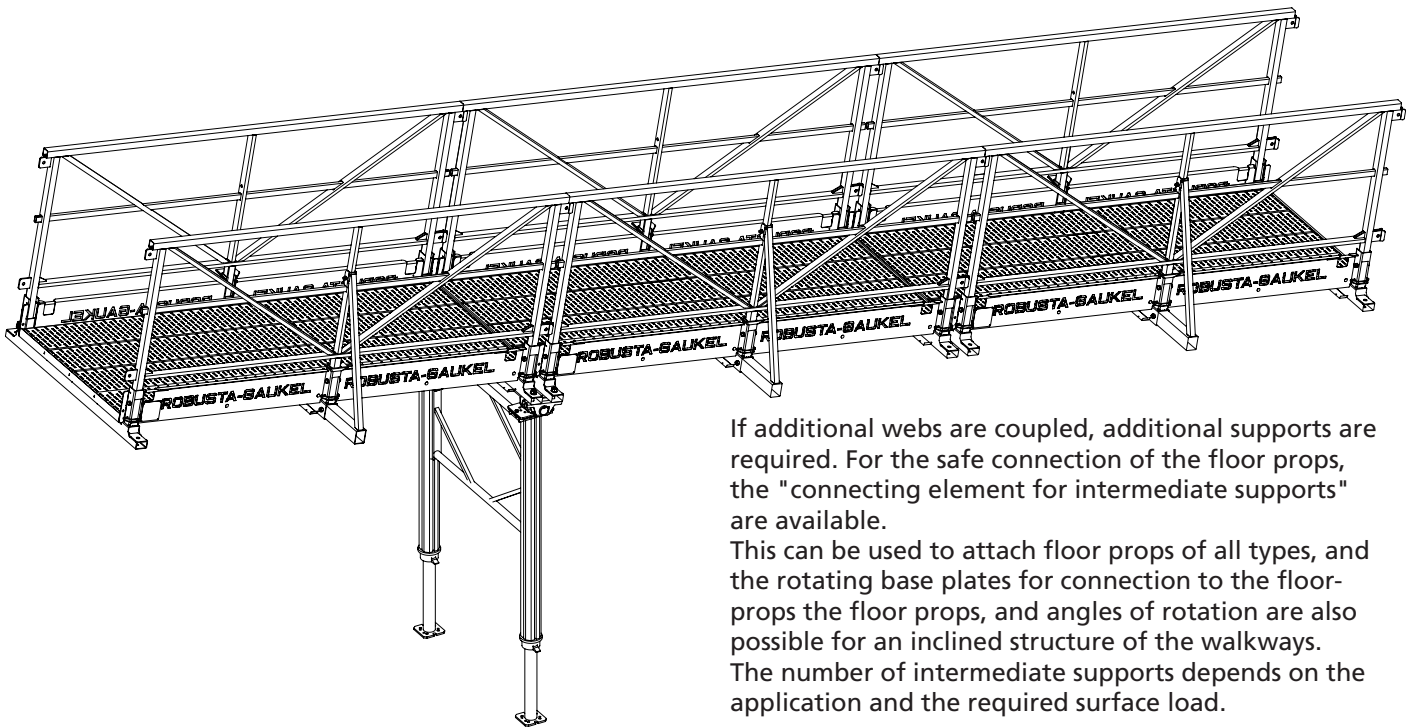
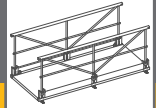
3 walkways without support
perm. surface load 1,5 kN/m²
perm. total load 16,8 kN



3 walkways with support
perm. surface load 2,0 kN/m²
perm. total load 22,5 kN

Basically applies:

Area load 2,0 kN/m²: Max. 2 walkways without support
Area load 1,5 kN/m²: Max. 3 walkways without support



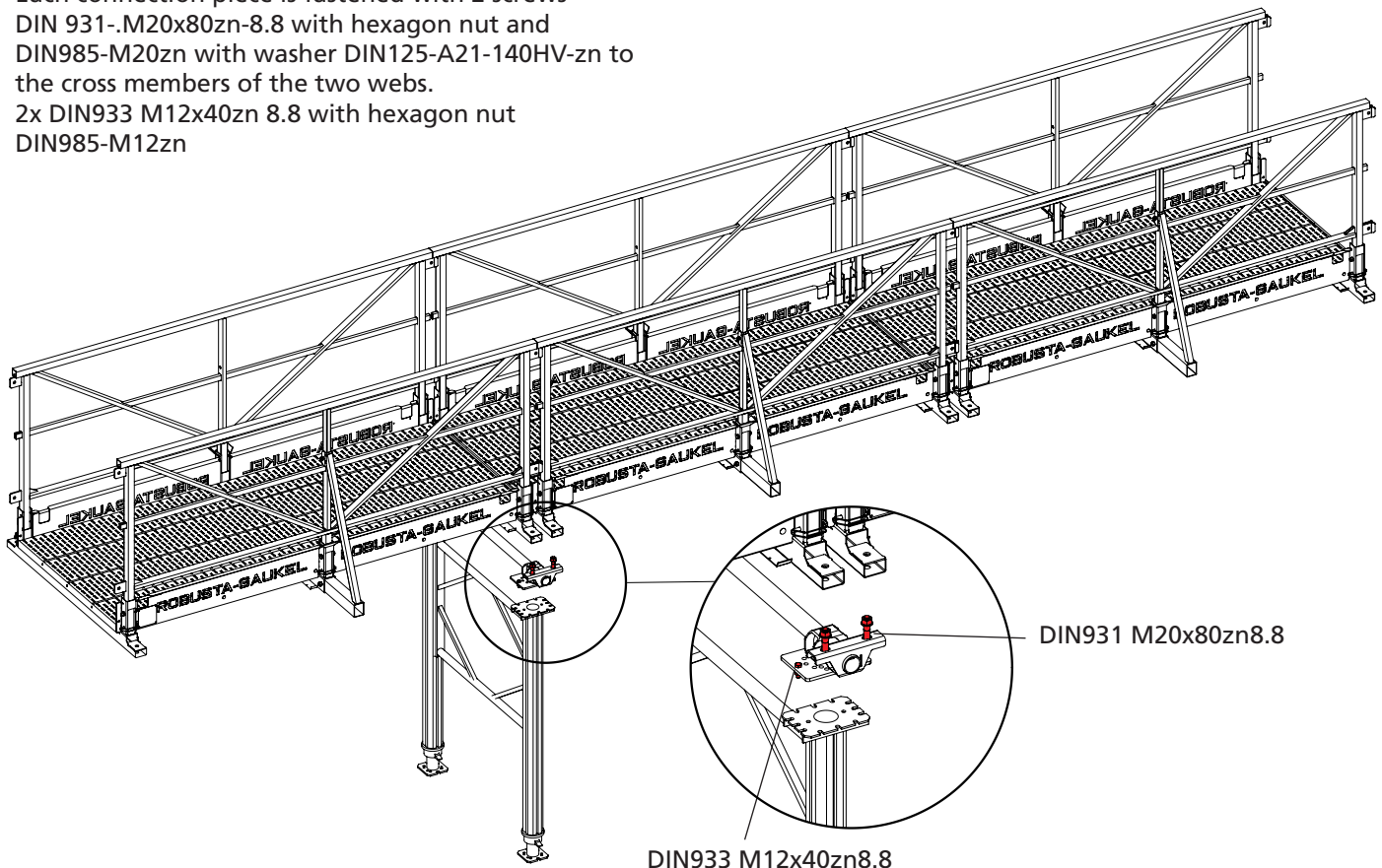
If additional webs are coupled, additional supports are required. For the safe connection of the floor props, the "connecting element for intermediate supports" are available.

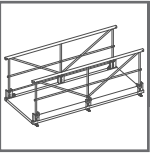
This can be used to attach floor props of all types, and the rotating base plates for connection to the floor-props the floor props, and angles of rotation are also possible for an inclined structure of the walkways. The number of intermediate supports depends on the application and the required surface load.

The intermediate support is equipped at both ends with rotatable connectors at both ends.

Each connection piece is fastened with 2 screws DIN 931-.M20x80zn-8.8 with hexagon nut and DIN985-M20zn with washer DIN125-A21-140HV-zn to the cross members of the two webs.

2x DIN933 M12x40zn 8.8 with hexagon nut DIN985-M12zn

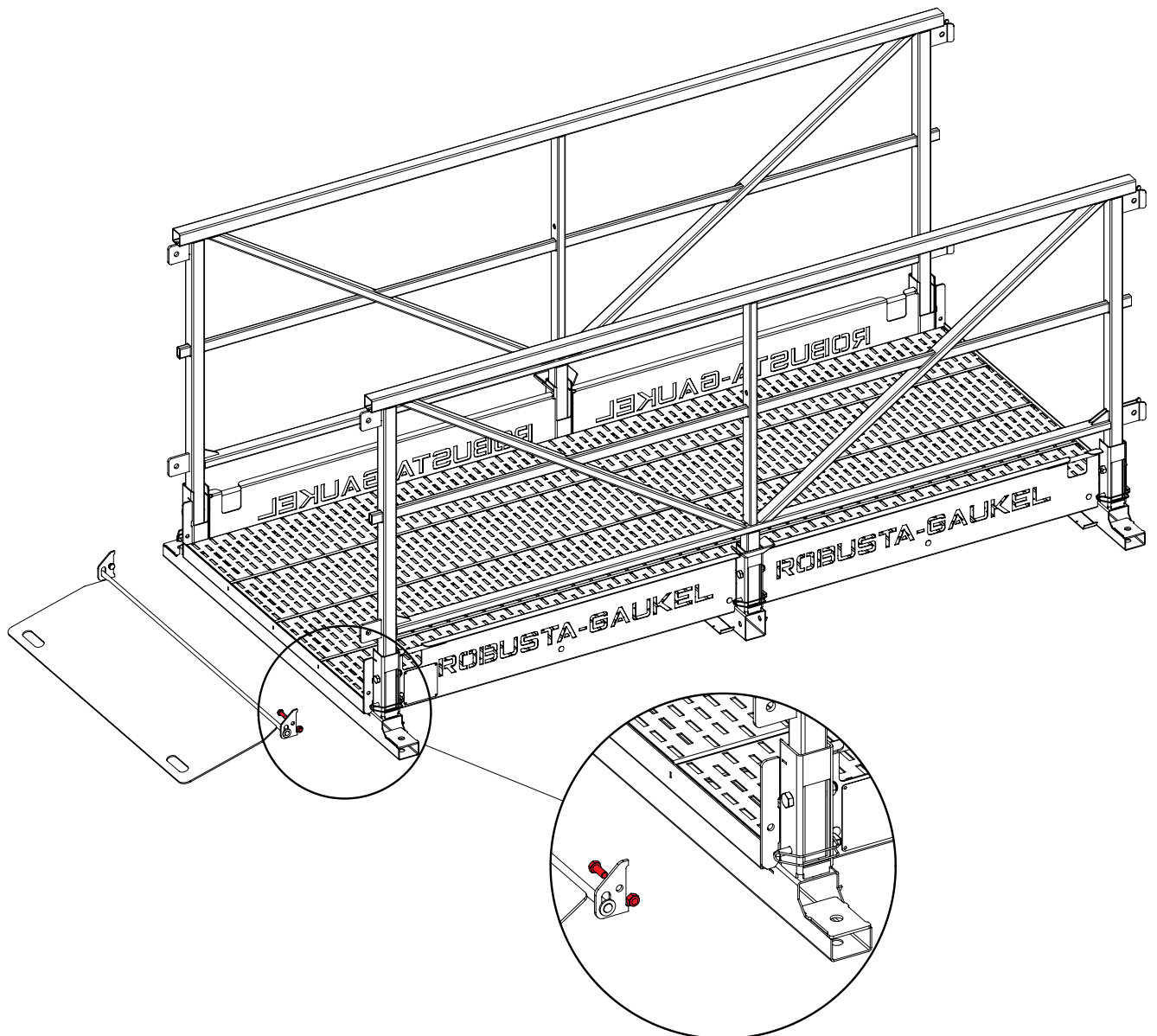




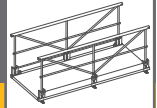
5. Accessories and their attachment

5.1. Pivoting cover plate

The cover plate is fastened with 2 bolts DIN 931-M12x30zn-8.8 with hexagon nut DIN985-M12 zn. The cover plate plate can remain mounted in the folded state during transport of the MULTI walkway. To do this, it must be folded down first before folding the guardrail frames.



DIN931 M12x30zn 8.8

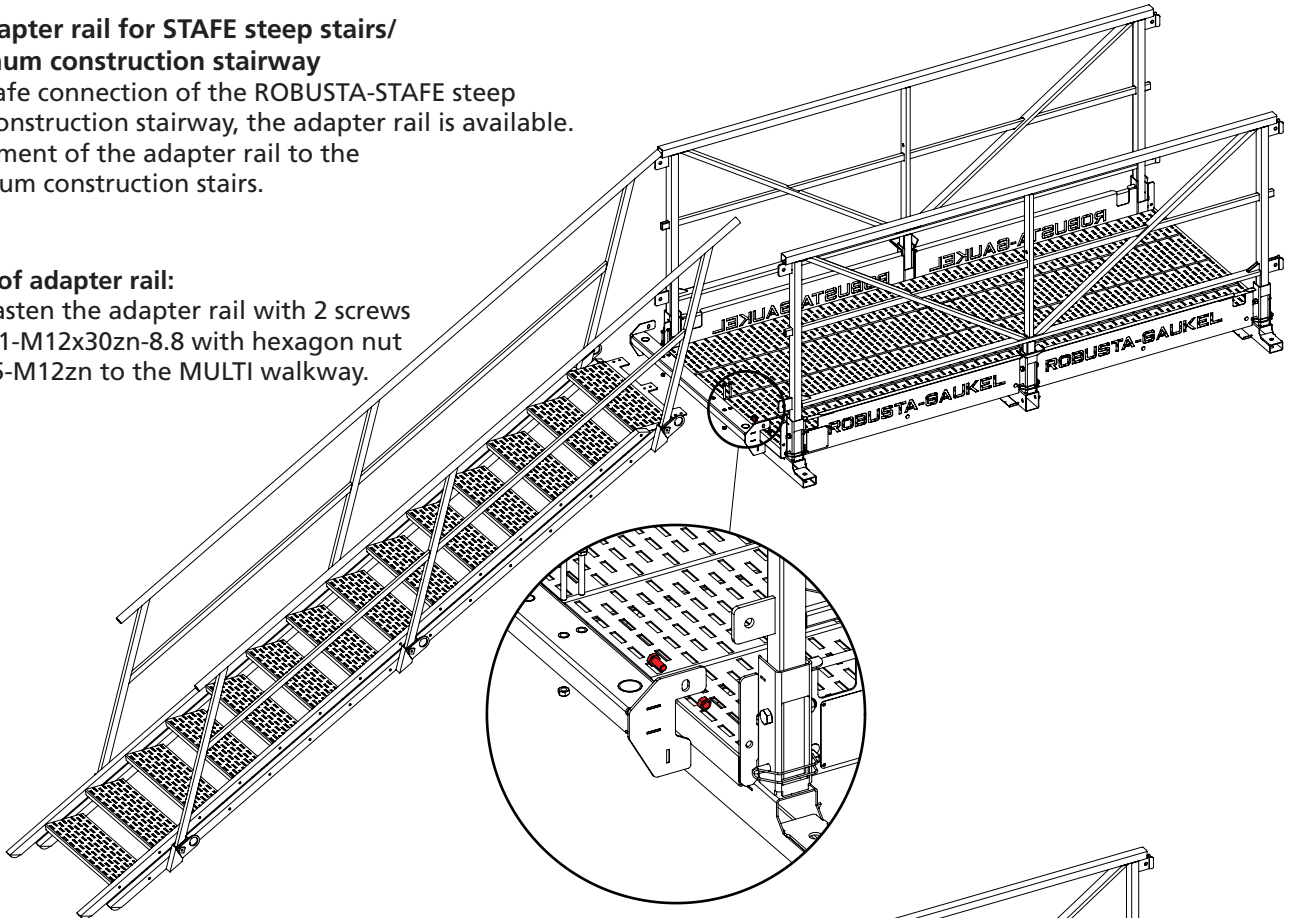


5.2 Adapter rail for STAFE steep stairs/ aluminum construction stairway

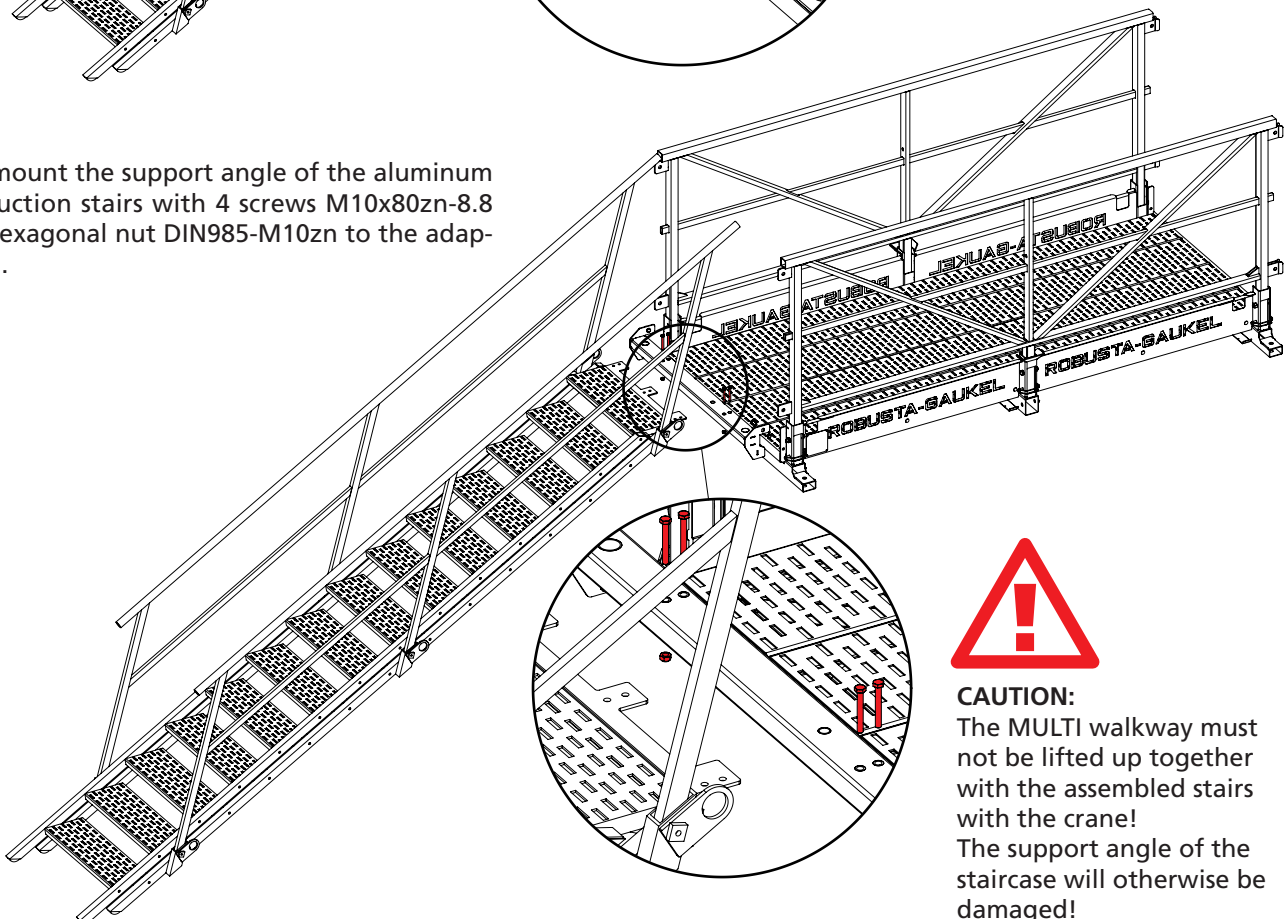
For a safe connection of the ROBUSTA-STAFE steep stairs/sonstruction stairway, the adapter rail is available. Attachment of the adapter rail to the aluminum construction stairs.

Fixing of adapter rail:

First, fasten the adapter rail with 2 screws DIN 931-M12x30zn-8.8 with hexagon nut DIN985-M12zn to the MULTI walkway.



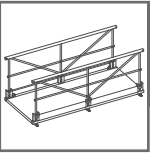
Then mount the support angle of the aluminum construction stairs with 4 screws M10x80zn-8.8 with hexagonal nut DIN985-M10zn to the adapter rail.



CAUTION:

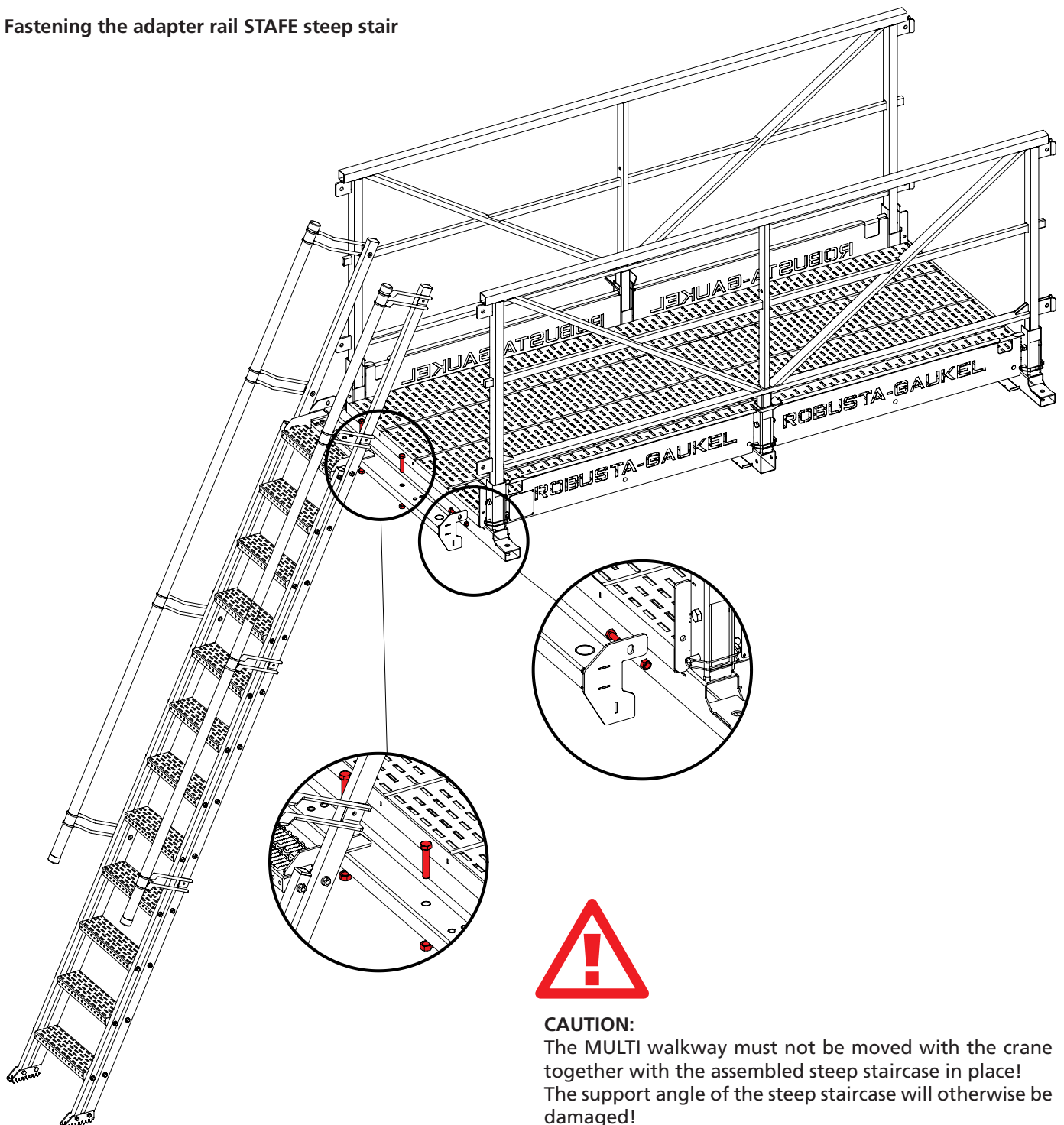
The MULTI walkway must not be lifted up together with the assembled stairs with the crane!

The support angle of the staircase will otherwise be damaged!



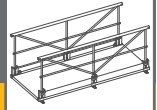
First fasten the adapter rail with 2 screws DIN 931-M12x30zn-8.8 with hexagon nut DIN985-M12zn to the MULTI walkway. Then attach the support bracket of the STAFE Steps/Aluminum Construction Staircase to the MULTI walkway using 4 bolts M10x80zn-8.8 with hexagon nut DIN985-M10zn to the adapter rail.

Fastening the adapter rail STAFE steep stair



CAUTION:

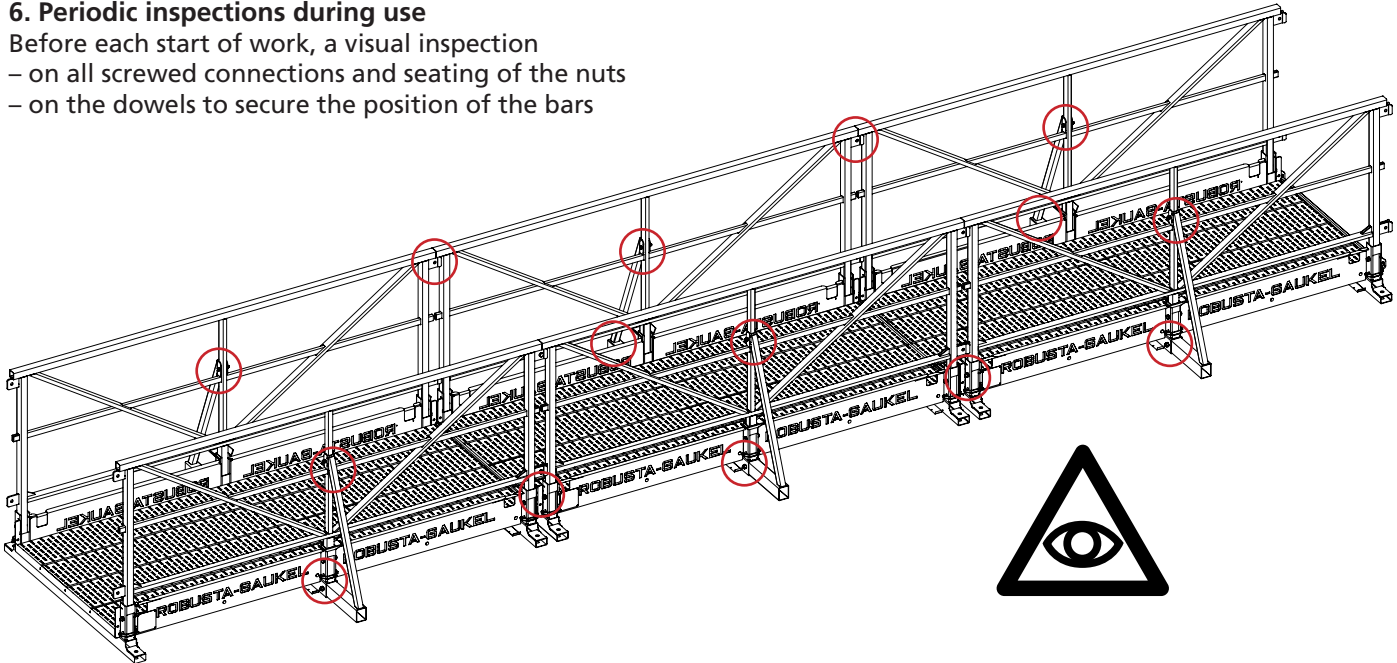
The MULTI walkway must not be moved with the crane together with the assembled steep staircase in place!
The support angle of the steep staircase will otherwise be damaged!



6. Periodic inspections during use

Before each start of work, a visual inspection

- on all screwed connections and seating of the nuts
- on the dowels to secure the position of the bars



7. Disposal

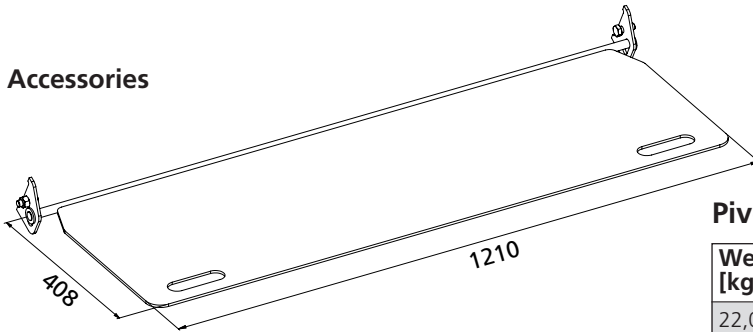
As a matter of principle, material that is no longer usable or defective must be disposed of properly by the applicable statutory regulations. The components are made of galvanized or hot-dip galvanized steel. As a rule, these can be disposed of as steel scrap without further dismantling.



Further informations catalogue
3.6. MULTI walkway
please scan QR-code



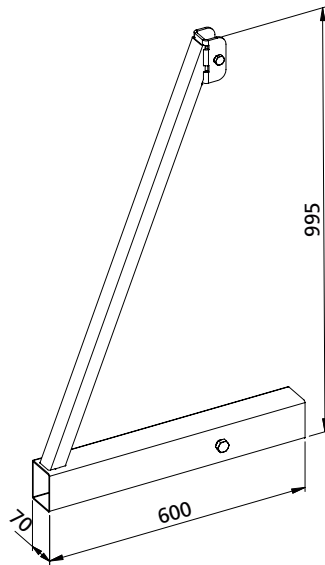
Accessories



Pivoting cover plate as slope for MULTI walkway, galvanized

Weight [kg/unit]	Item No.
22,0	370303

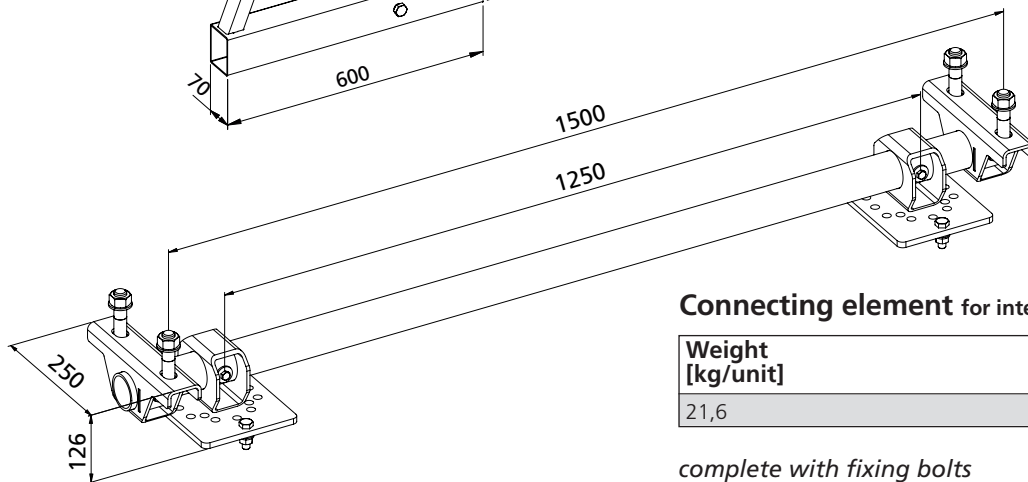
complete with fixing bolts



Diagonal struts for MULTI walkway, galvanized

Weight [kg/unit]	Item No.
8,0	370304

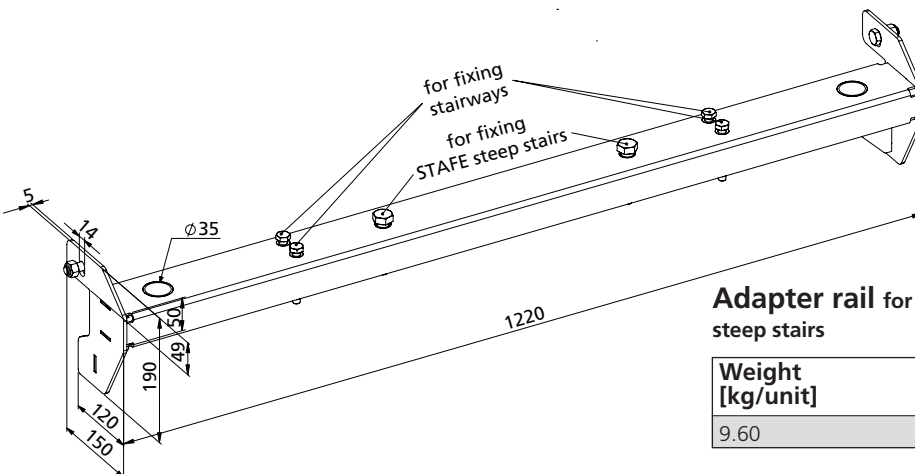
complete with fixing bolts



Connecting element for intermediate supports, galvanized

Weight [kg/unit]	Item No.
21,6	370305

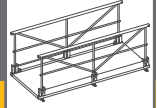
complete with fixing bolts



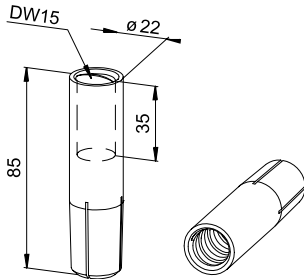
Adapter rail for safe connecting of STAFE stairways and steep stairs

Weight [kg/unit]	Item No.
9.60	370306

complete set with fixing bolts

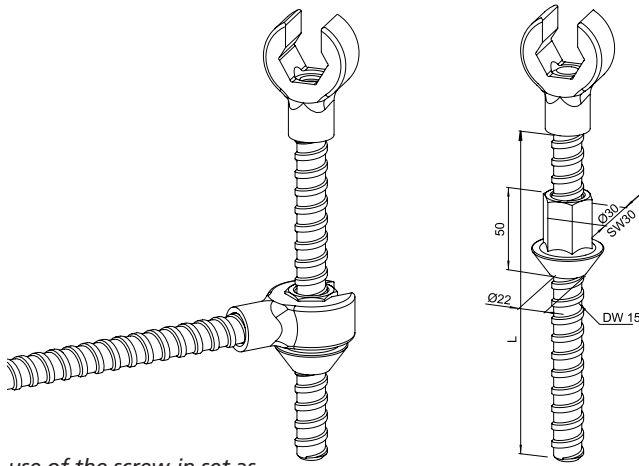


Fixing



Impact dowel D&W 15 mm, galvanized

Weight [kg/100 units]	Item No.
16.5	121515

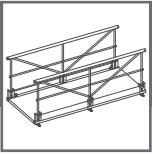


Screw-in set D&W 15 mm, galvanized

Length* [mm]	Weight [kg/unit]	Item No.
180	0.46	111820
300	0.78	111825

*other lengths available upon request

use of the screw-in set as a fork spanner



MULTI WALKWAY AND ACCESSORIES ITEM NO. 370300

3

ORIGINAL ASSEMBLY INSTRUCTIONS

01.04.2022

Page 17 from 18

ROBUSTA-GAUKEL GMBH & CO. KG

Hauptsitz:

Brunnenstraße 36
D-71263 Weil der Stadt-Hausen
Telefon +49 7033 537 10
Telefax +49 7033 5371 31
Internet www.robusta-gaukel.com
E-Mail info@robusta-gaukel.com

Niederlassung Berlin:

Rohdestraße 19
D-12099 Berlin (Tempelhof)
Telefon +49 30 75 70 70 00
Telefax +49 30 75 70 70 07
Internet www.robusta-gaukel.com
E-Mail nl-berlin@robusta-gaukel.com