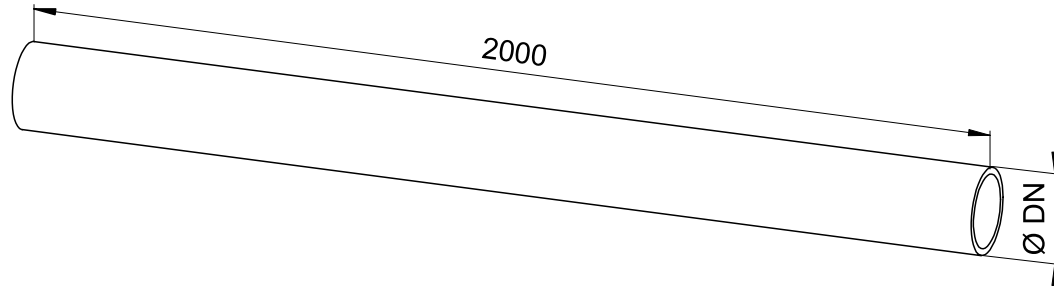
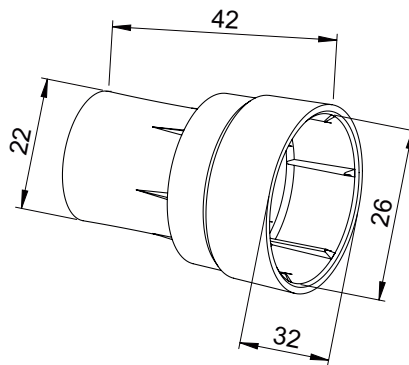


PVC-Rohr, betongrau
Plastic tube, grey


| D&W Ø [mm] | DN [mm] | Gewicht [kg/Stck.] | Artikel-Nr. |
|---------------|------------|-----------------------|-------------|
| 15,0 | 22/26 | 0,60 | 511582 |
| 20,0 | 26/30 | 0,95 | 512082 |
| 26,5 | 30/36 | 1,50 | 512688 |

| D&W Ø [mm] | DN [mm] | Weight [kg/unit] | Item No. |
|---------------|------------|---------------------|----------|
| 15.0 | 22/26 | 0.60 | 511582 |
| 20.0 | 26/30 | 0.95 | 512082 |
| 26.5 | 30/36 | 1.50 | 512682 |

Kunststoff-Adapter als Übergangsstück Wassersperre auf PVC-Rohr
Plastic adapter as reducing sleeve water stop on plastic tube


| Ø [mm] | Gewicht [kg/100 Stck.] | Artikel-Nr. |
|-----------|---------------------------|-------------|
| 22/26 | 0,30 | 511589 |

| D&W Ø [mm] | Weight [kg/100 units] | Item No. |
|---------------|--------------------------|----------|
| 22/26 | 0.30 | 511589 |

Hauptsitz:

 D-71263 Weil der Stadt-Hausen · Brunnenstraße 36
 Tel. +49 70 33 53 71 -0 · Fax +49 70 33 53 71 -31
 E-Mail: info@robusta-gaukel.de

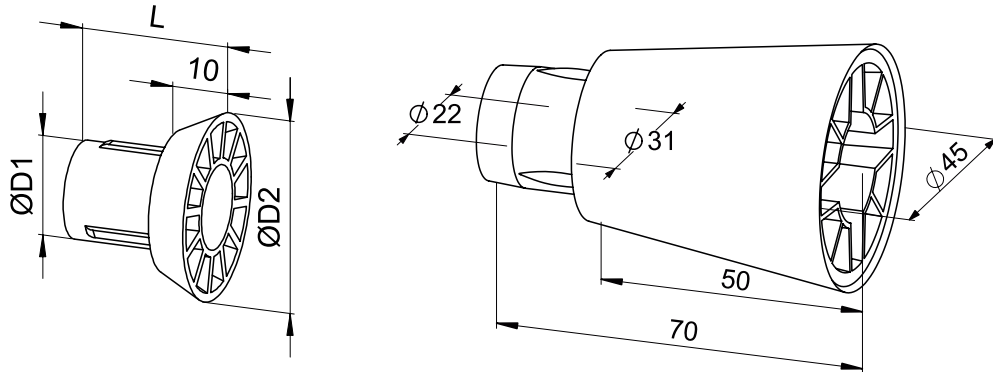
Niederlassung:

 D-12099 Berlin (Tempelhof) · Rohdestraße 19
 Tel. +49 30 75 70 70 00 · Fax +49 30 75 70 70 07
 E-Mail: nl-berlin@robusta-gaukel.de

 Copyright © Januar 2020 ROBUSTA-GAUKELE GMBH & CO. KG
 Technische Änderungen vorbehalten
 Products may be subject to technical changes

PVC-Konen für PVC-Rohr

Plastic cones for plastic tube

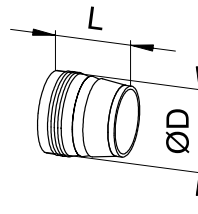


| D&W Ø [mm] | D1 [mm] | D2 [mm] | L [mm] | Gewicht [kg/100 Stck.] | Artikel-Nr. |
|---------------|------------|------------|-----------|---------------------------|-------------|
| 15,0 | 22 | 42 | 32 | 0,61 | 511583 |
| 15,0 | 22 | 45 | 70 | 2,20 | 511543 |
| 20,0 | 26 | 50 | 32 | 0,90 | 512083 |

| D&W Ø [mm] | D1 [mm] | D2 [mm] | L [mm] | Weight [kg/100 units] | Item No. |
|---------------|------------|------------|-----------|--------------------------|----------|
| 15.0 | 22 | 42 | 32 | 0.61 | 511583 |
| 15.0 | 22 | 45 | 70 | 2.20 | 511543 |
| 20.0 | 26 | 50 | 32 | 0.90 | 512083 |

Stopfen zu PVC-Rohr

Plug for plastic tube



| D&W Ø [mm] | D [mm] | L [mm] | Gewicht [kg/100 Stck.] | Artikel-Nr. |
|---------------|-----------|-----------|---------------------------|-------------|
| 15,0 | 22 | 32 | 0,28 | 511590 |
| 20,0 | 26 | 32 | 0,39 | 512090 |

| DN D&W | D mm | L mm | Weight [kg/100 units] | Item No. |
|-----------|---------|---------|--------------------------|----------|
| 15,0 | 22 | 32 | 0,28 | 511590 |
| 20,0 | 26 | 32 | 0,39 | 512090 |

Hauptsitz:

D-71263 Weil der Stadt-Hausen · Brunnenstraße 36
 Tel. +49 70 33 53 71 - 0 · Fax +49 70 33 53 71 - 31
 E-Mail: info@robusta-gaukel.de

Niederlassung:

D-12099 Berlin (Tempelhof) · Rohdestraße 19
 Tel. +49 30 75 70 70 00 · Fax +49 30 75 70 70 07
 E-Mail: nl-berlin@robusta-gaukel.de

Copyright © Januar 2015 ROBUSTA-GAUKELE GMBH & CO. KG
 Technische Änderungen vorbehalten
 Products may be subject to technical changes