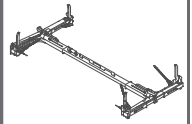


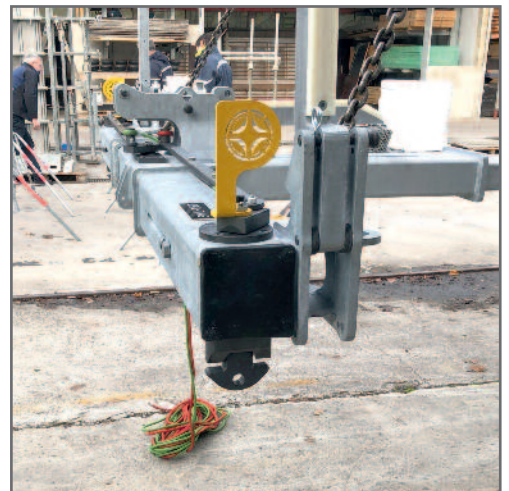
7

7.4. CONFLEX

for safe stacking and unstacking of construction site containers



STORING AND INSTALLATION AT CONSTRUCTION SITES



ROBUSTA
GAUKEL



Your advantages at a glance:

- Safety when stacking construction site containers
- Locking and opening of the twist locks from the ground
- Guide flippers can be folded down on all sides as required
- Suitable for container dimensions 16' and 20'
- Load capacity 6 ton
- hot-dip galvanized for a long service life
- robust steel construction
- Special dimensions on request!

Construction site containers are required when setting up construction sites.

For reasons of space, they have to be stacked on top of each other, especially for larger construction projects.

A particularly sensitive point with regard to occupational safety is attaching or removing the crane suspension in the second or even higher level. With two containers on top of each other, the fall height is **already 5 meters!**

Another important factor is the lack of guardrail fall protection when the operator is on the container roof to unhook the crane he needs to bend over and might fall off the corner.

The idea of ROBUSTA-GAUKEL for the safe moving of containers: the roof area no longer has to be stepped on, the operation is ALWAYS carried out with the ConFlex from safe ground.

The ConFlex transport frame is equipped with twist locks, which are locked from the ground using ropes and can be unlocked again.

A clearly visible flag indicates whether the twist lock is correct in locked position for transport.

Particularly important for safety:

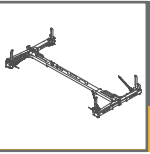
The 4 twist locks are always secure when the load is attached and locked, accidental opening by pulling the rope is also locked out!

The payload is $4 \times 1.5 = 6$ tons, so a Magazine container with work material or office container with eccentric loads (e.g. through built-in wet cells) can safely be lifted and moved.

For universal use, the ConFlex transport frame is variably adjustable on 4 different container dimensions.

We are happy to deliver special dimensions on request!





CONFLEX

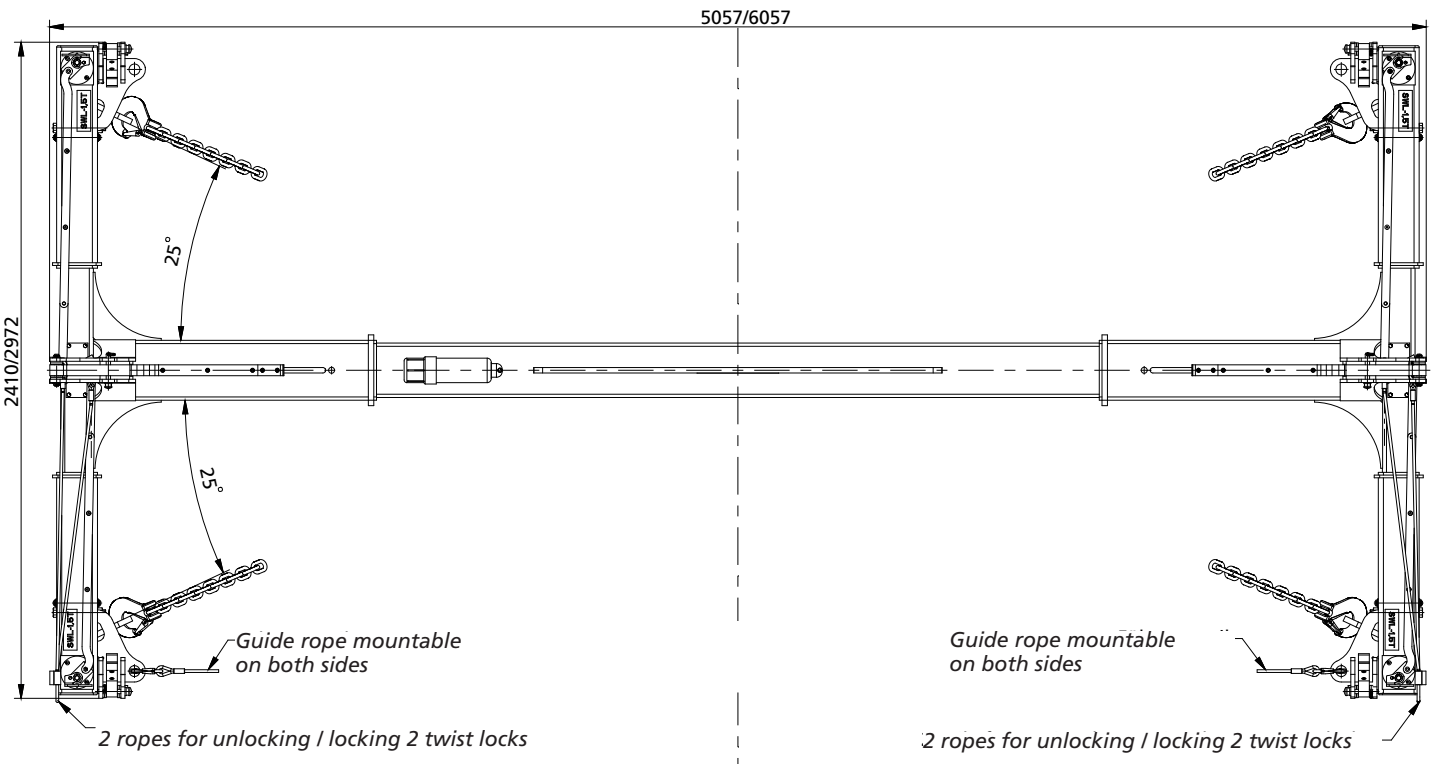
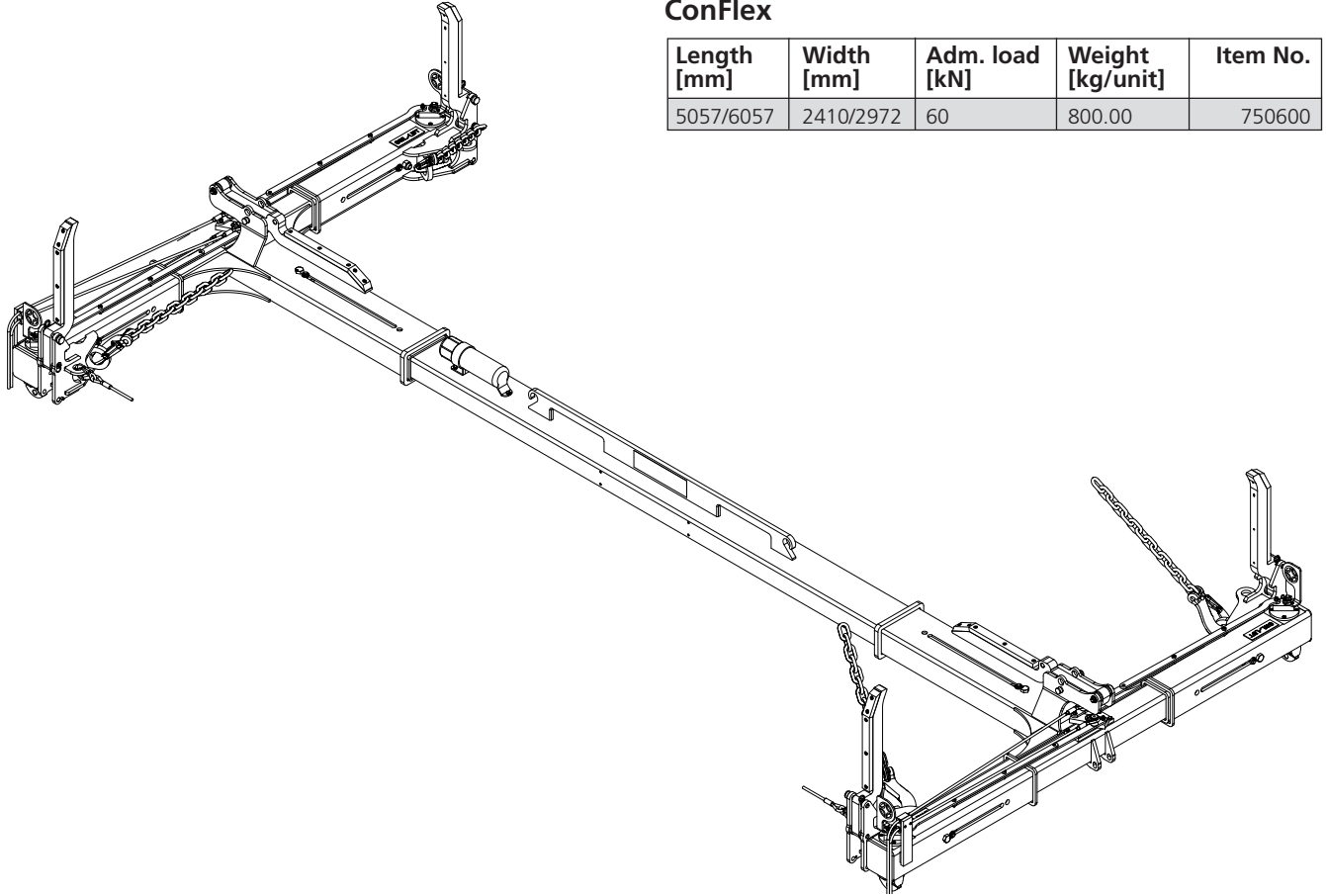
7

GENERAL INFORMATION

TECHNICAL DATA:

ConFlex

Length [mm]	Width [mm]	Adm. load [kN]	Weight [kg/unit]	Item No.
5057/6057	2410/2972	60	800.00	750600



ROBUSTA-GAUKEL GMBH & CO. KG

Headquarter:

Brunnenstraße 36
D-71263 Weil der Stadt-Hausen
Phone: +49 7033 537 10
Fax: +49 7033 5371 31
Internet www.robusta-gaukel.com
E-Mail info@robusta-gaukel.com

Berlin office:

Rohdestraße 19
D-12099 Berlin (Tempelhof)
Phone: +49 30 75707000
Fax: +49 30 75707007
Internet www.robusta-gaukel.com
E-Mail nl-berlin@robusta-gaukel.com